

Coda Audio D-Series

D5-Ceiling

CODA
C O D A A U D I O



The D5-Ceiling is an ultra compact 2-way coaxial point source speaker system, containing one high power 5" woofer and a coaxially mounted 44.4mm voice coil driver. The design aligns the acoustical centres of the transducers to produce a single point source, providing a coherent wave front without hot spots. With precise directivity of 90° conical, uniform coverage is ensured. The attractive solid aluminum design and superb sound quality allows the D5-Ceiling to be used in a wide range of critically sensitive applications, such as, conferences, Houses of Worship, airport and other transport hubs, convention centres, restaurant, bars and hotels.

Key features:

- Coda Audio high output time aligned transducers
- 16 Ohm design for ease of multiple chaining
- Solid aluminium construction
- Ultra compact size
- Maximum SPL peak: 117 dB
- Weatherproof option
- All RAL-colours optional
- 100 V Trans, 100 VA option

Key advantages:

- Outstanding audio quality
- Exemplary component reliability
- Expandable user application area with introduction of subwoofer system
- Competitive price point advantage

Applications:

- State-of-the-art solution for all high quality near field applications
- Conferences, Houses of Worship, transport hubs, convention centres
- Restaurants, bars and hotels

Need more?

The addition of the appropriate Coda Audio subwoofer expands frequency response and application area greatly.

Need less?

Few professional applications would require less than a D5-Ceiling. Take a look at the D5-Cube and D5-Tube for alternative placement options.



Technical specifications:

Type:	2-way coaxial ultra compact
Application:	Superior quality short throw
Frequency response:	90 Hz – 30 kHz (-3 dB)
Power handling AES:	125 W
Program power:	250 W
Peak power:	500 W
Sensitivity:	91 dB
Max. SPL peak:	117 dB
Dispersion:	90° conical
Components:	
Low frequency:	5" woofer, 1.5" (38 mm) voice coil, 120 W (AES)
High frequency:	1" coaxially mounted driver, 1.75" (44.4 mm) voice coil, 80 W (AES)
Crossover point:	1600 Hz passive
Nominal impedance:	16 Ω
100V version (optional):	100 VA
Input connectors:	Push buttons
Enclosure material:	Solid Aluminium
Finish:	Metal (all RAL-colours optional)
Weatherproof version:	Optional
Flying hardware:	M6 & M8 threaded points
Dimensions (WxHxD):	170 x 190 mm, ceiling cutout 160 mm
Net weight:	4 kg

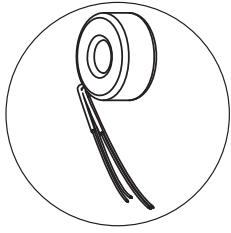
Coda Audio D5-Ceiling fact sheet (1 of 2)

Coda Audio D-Series D5-Ceiling

CODA
C O D A A U D I O

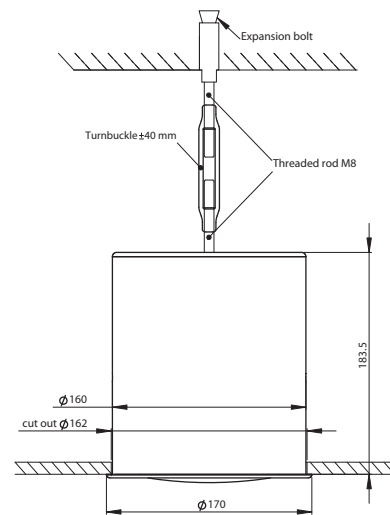
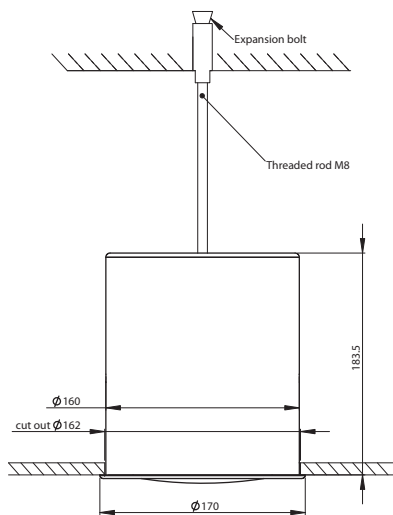


Accessories:



100 V Transformer, 100 VA

Mounting suggestions:



System components:

AC24VS-UC	Analogue Controller
PW112	Subwoofer
PW12A	Active subwoofer
C-Series	Amplifiers

EASE data:

EASE data is available from the Support Downloads area at www.codaaudio.com.

CAD/Drawing data:

Further product information including 2D and 3D CAD drawings are available from the Support Downloads area at www.codaaudio.com.

