



## ACL 360 ROLLER™

SKU# ACL059

The new ACL 360 ROLLER™ is a unique moving head effect luminaire featuring a total of (20) individual 15W RGBW 4-in-1 LEDs positioned equally on four individual arrays attached together. Features include the new advanced collimator optic lens that produces a 4° laser-like homogenized color changing beam from each LED which combined produce a 21° beam angle from each bar, fast and precise 16-bit continuous full 360° pan and tilt rotation, full individual pixel control, strobe, and selectable dimming curve effects, DMX, RDM (Remote Device Management), KlingNET™ and Art-NET support, 3/5pin XLR, powerCON, and RJ45 ethernet in/out connections, (6) button control full color 180° reversible menu display, 280W max power consumption, and a multi-voltage universal auto switching power supply (100-240v).



### FEATURES

**Unique Beam Moving Head Effect Luminaire**

**New Advanced Collimator Optic Lens**

**(20) Pixel Controlled 15W RGBW 4-in-1 LEDs**

**Laser-Like Homogenized 4° Color Changing Beams**

**Fast and Precise 16-Bit Continuous 360° Pan/Tilt Rotation**

**Strobe and Selectable Dimming Curve Effects**

**RDM, KlingNET™ and Art-NET (DMX Over Ethernet)**

**Flicker Free Operation for Broadcast TV and FILM**



ELATION | ACL 360 ROLLER™ | Product Specification Sheet

Specifications are subject to change without notice ©Elation Professional 12/22/15

Elation Professional USA | 6122 S. Eastern Ave. | Los Angeles, CA. 90040  
323-582-3322 | 323-832-9142 fax | www.elationlighting.com | info@elationlighting.com

Elation Professional B.V. | Junostraat 2 | 6468 EW Kerkrade, The Netherlands  
+31 45 546 85 66 | +31 45 546 85 96 fax | www.elationlighting.eu | info@elationlighting.eu

**PRODUCT SPECIFICATIONS**

**SOURCE**

(20) 15W RGBW 4-in-1 LEDs  
100,000 Hour Average LED Life\*

\*LED Life may vary depending on several factors including but not limited to: Environmental Conditions, Power/Voltage, Usage Patterns (On-Off Cycling), Control and Dimming.

**PHOTOMETRIC DATA (Full ON)**

37,630 LUX 3,496 FC @3.3' (1m)  
17,700 LUX 1,644 FC @6.6' (2m)  
11,240 LUX 1,044 FC @9.8' (3m)  
7,571 LUX 703 FC @13.1' (4m)  
5,172 LUX 480 FC @16.4' (5m)

**EFFECTS**

Individual Pixel Control  
Electronic Strobe and Selectable Dimming Curves

**COLOR**

RGBW

**CONTROL / CONNECTIONS**

(3) DMX Channel Modes (17 / 19 / 95)  
RDM (Remote Device Management)  
6 Button Touch Control Panel  
Full Color 180° Reversible LCD Menu Display  
8 / 16 Bit Resolution Adjustable Movement  
3pin/5pin DMX In/Out  
RJ45 Ethernet In/Out (KlingNET™ / Art-NET)  
powerCON Power In/Out

**SIZE / WEIGHT**

Length: 18.9" (480.7mm)  
Width: 10.2" (260mm)  
Vertical Height: 21.3" (541mm)  
Weight: 44.0 lbs. (20 kg)

**ELECTRICAL / THERMAL**

AC 100-240V - 50/60Hz  
280W Max Power Consumption  
Power Linking: 4pcs Max @110V / 10pcs Max @240V  
5F to 113°F (-15°C to 45°C)

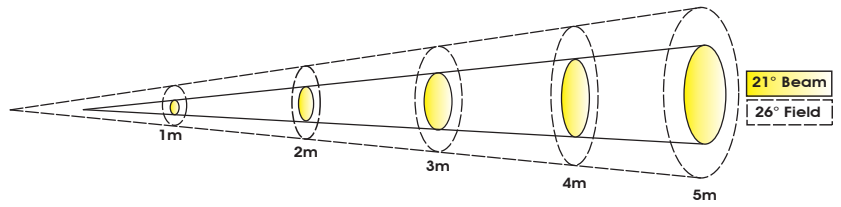
**APPROVALS / RATINGS**

CE | IP30

**INSTALLATION**

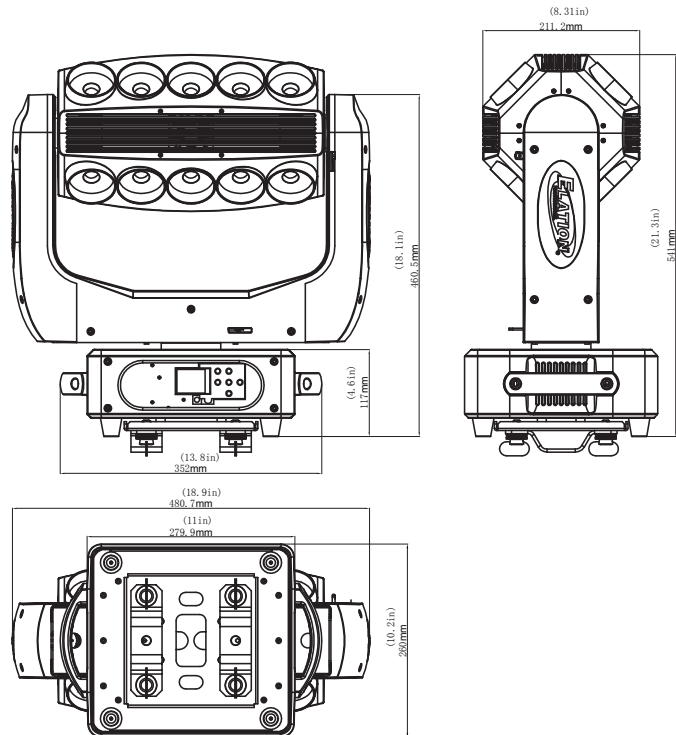
Rigging: Clamps (Not Included)

**PHOTOMETRIC DATA**



|                    | 1 m    | 3.3 ft | 2 m    | 6.6 ft | 3 m    | 9.8 ft | 4 m   | 13.1 ft | 5 m   | 16.4 ft |
|--------------------|--------|--------|--------|--------|--------|--------|-------|---------|-------|---------|
| 21° Beam Diameter  | 0.37   | 1.2    | 0.73   | 2.4    | 1.08   | 3.5    | 1.43  | 4.7     | 1.79  | 5.9     |
| 26° Field Diameter | 0.48   | 1.6    | 0.91   | 3.0    | 1.36   | 4.5    | 1.8   | 5.9     | 2.24  | 7.3     |
|                    | lux    | fc     | lux    | fc     | lux    | fc     | lux   | fc      | lux   | fc      |
| RED LEDs           | 10,570 | 982    | 5,955  | 553    | 3,210  | 298    | 2,158 | 200     | 1,531 | 142     |
| GREEN LEDs         | 22,150 | 2,058  | 10,030 | 932    | 6,578  | 611    | 4,673 | 434     | 3,276 | 304     |
| BLUE LEDs          | 3,634  | 338    | 1,749  | 162    | 1,156  | 107    | 753   | 70      | 488   | 45      |
| WHITE LEDs         | 24,130 | 2,242  | 10,010 | 930    | 6,357  | 591    | 4,096 | 381     | 2,611 | 243     |
| FULL ON            | 37,630 | 3,496  | 17,700 | 1,644  | 11,240 | 1,044  | 7,571 | 703     | 5,172 | 480     |

**DIMENSIONAL DIAGRAMS**



**OPTIONAL ACCESSORIES**

| ORDER CODE    | ITEM  |
|---------------|---|
| TRIGGER CLAMP | Heavy Duty Wrap Around Hook Style Clamp         |
| ** pending ** | Road Case For ACL 360 ROLLER™                   |
| EWDMSYSTEM    | Wireless DMX System (1 Transmitter, 1 Receiver) |
| PLC3          | 3' (1m) PowerCON PRO Link Cable                 |
| CAT6PRO5      | 5' (1.5m) CAT6 EtherCON Cable                   |
| AC5PDMX5PRO   | 5 ft. (1.5m) 5pin PRO DMX Cable                 |
|               | Additional cable lengths available              |

