



DW PENDANT™

SKU# **DWP001**

The DW PENDANT™ wash luminaire features (36) 3W 2-in-1 Cool White / Warm White LEDs, a 41° beam angle, silent convection cooled operation, full color temperature range control from Tungsten (2,700K) to Daylight (6,500K), variable dimming curve modes, strobe effects, adjustable refresh frequency and gamma brightness for flicker free operation for TV and Film, DMX and RDM (Remote Device Management) protocol support, an internal E-Fly™ extended range wireless DMX transceiver, 5pin DMX in/out and powerCON input connections, an LCD menu display with 4 button control panel, removable pendant and yoke mounting brackets, multi-voltage universal auto switching power supply (100-250v), and optional exterior shroud kits available.



Elation | DW PENDANT™ | Product Specification Sheet



FEATURES

- 36 x 3W 2-in-1 Cool White / Warm White LEDs**
- 41° Beam Angle - 66° Field Angle**
- Silent Convection Cooled Operation**
- Tungsten (2,000K) to Daylight (6,500K) CT Control**
- Variable Dimming Curve Modes and Strobe Effects**
- Adjustable Refresh Frequency and Gamma Brightness**
- Flicker Free Operation for TV and FILM**
- DMX and RDM (Remote Device Management) Protocol**
- E-Fly™ Internal Extended Range Wireless DMX Transceiver**
- Removable Pendant and Yoke Mounting Brackets**

Specifications are preliminary and subject to change without notice ©Elation Professional 02/10/16

Elation Professional USA - Corporate Headquarters | 6122 S. Eastern Ave. | Los Angeles, CA. 90040
323-582-3322 | 323-832-9142 fax | www.elationlighting.com | info@elationlighting.com

Elation Professional B.V. | Junostraat 2 | 6468 EW Kerkrade, The Netherlands
+31 45 546 85 66 | +31 45 546 85 96 fax | www.elationlighting.eu | info@elationlighting.eu

PRODUCT SPECIFICATIONS

SOURCE

(36) 3W 2-in-1 Cool White / Warm White LEDs
100,000 Hour Average LED Life*

*LED Life may vary depending on several factors including but not limited to: Environmental Conditions, Power/Voltage, Usage Patterns (On-Off Cycling), Control and Dimming.

PHOTOMETRIC DATA

3,785 LUX 352 FC @3.3' (1m) (41°Full ON)
1,003 LUX 93 FC @6.6' (2m) (41°Full ON)
457 LUX 42 FC @9.8' (3m) (41°Full ON)
271 LUX 25 FC @13.1' (4m) (41°Full ON)
179 LUX 17 FC @16.4' (5m) (41°Full ON)

EFFECTS

Tungsten (2,700K) to Daylight (6,500K) CT Control
Variable Dimming Curve Modes and Strobe Effects

CONTROL / CONNECTIONS

7 DMX Channel Modes (7 Total Channels)
Adjustable Refresh Rate
Adjustable Gamma Brightness
4 Button Control Panel and LCD Menu Display
DMX and RDM (Remote Device Management) Support
E-Fly™ Internal Extended Range Wireless DMX Transceiver
5pin DMX In/Out
powerCON Power In

SIZE / WEIGHT

Length: 14.7" (374 mm)
Width: 9.9" (252.5 mm)
Horizontal Height: 12.0" (308.8 mm)
Weight: 14.0 lbs. (6.4 kg)

ELECTRICAL / THERMAL

AC 100-240V - 50/60Hz
110W Max Power Consumption
-14°F to 113°F (-10°C to 45°C)

APPROVALS / RATINGS



IP20



INCLUDED ITEMS

powerCON Cable

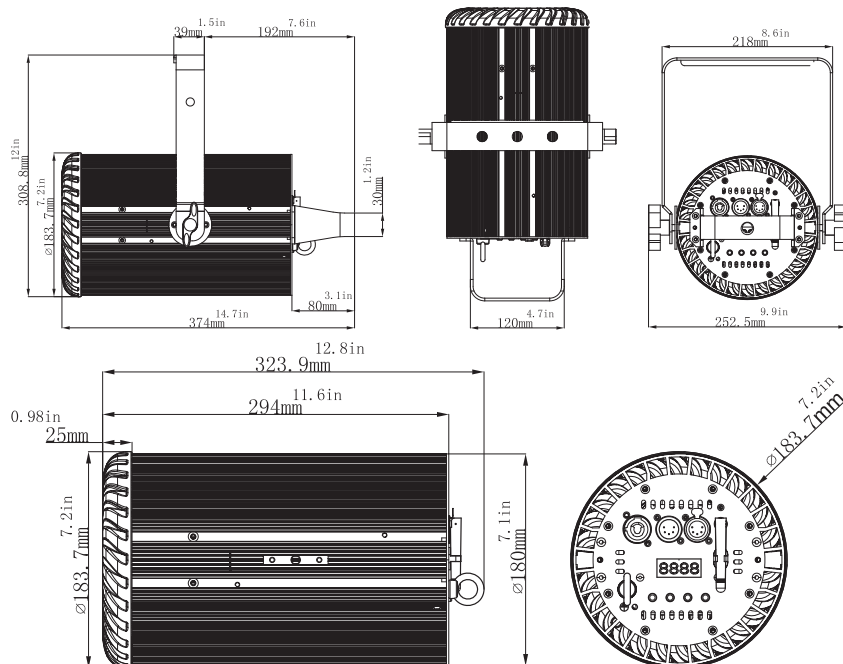
OPTIONAL Exterior Shroud Kits Available



PHOTOMETRIC DATA

Distance	1m	3.3 ft	2m	6.6ft	3m	9.8 ft	4m	13.1 ft	5m	16.4 ft
41° Beam Diameter	0.73	2.4	1.46	4.8	2.18	7.2	2.91	9.5	3.63	11.9
66° Field Diameter	1.27	4.2	2.55	8.4	3.82	12.5	5.1	16.7	6.37	20.9
Photometrics	lux	fc	lux	fc	lux	fc	lux	fc	lux	fc
COOL WHITE LEDs	2,055	191	550	51	253	24	149	14	99	9
WARM WHITE LEDs	1,778	165	471	44	222	21	128	12	85	8
FULL ON	3,785	352	1,003	93	457	42	271	25	179	17

DIMENSIONAL DIAGRAMS



OPTIONAL ACCESSORIES

ORDER CODE	ITEM
COL110/ESK	Exterior Shroud Kit BLACK
NARROW CLAMP	2" (51mm) PRO Wrap Around Clamp
EFL001	E-Fly™ Extended Range Wireless DMX Transceiver
AC5PDMX5PRO	5 ft. (1.5m) 5pin PRO DMX Cable
	Additional Cable Lengths Available

OPTIONAL E-FLY Wireless DMX Transceiver



Specifications are preliminary subject to change without notice ©Elation Professional 02/10/16

