



## ELAR Q1™

SKU# **EAR913**

The IP65 rated ELAR Q1™ features a single 18W RGBW Quad LED, a 7° beam 14° field angles, 4 DMX channels, RDM (remote device management) with direct DMX auto addressing option, 8pin power/data IP cable in/out, 24VDC, flicker free operation for broadcast TV and FILM, 18W max power consumption, and an integrated adjustable yoke or flush mounting options.



## ELAR Q1 PSU™

SKU# **EAR925**

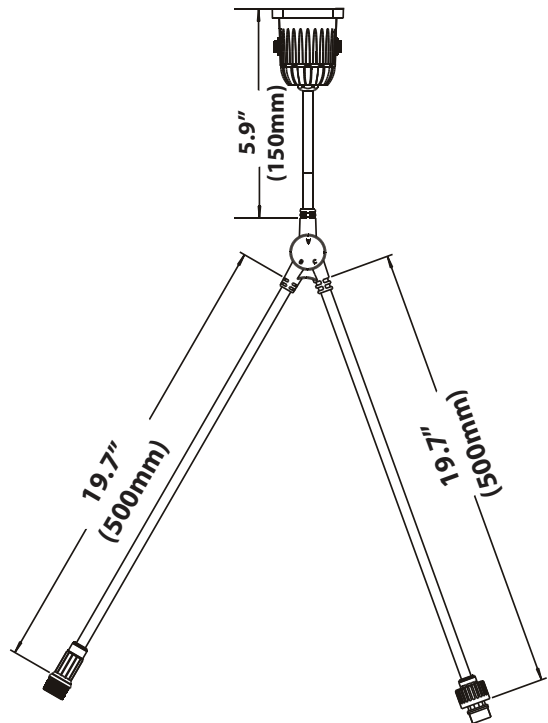
The IP65 rated ELAR Q1 PSU™ power supply unit features 24VDC output which can support (15) max linked ELAR Q1™ units each, 8pin power/data IP cable in/out, RDM (remote device management), 300W max power consumption, and a multi-voltage universal power supply (100-240v 50/60Hz).

### ELAR Q1™ FEATURES

- 18W RGBW Quad LED**
- 100,000 Average Hour LED Life**
- 7° Beam 14° Field Angles**
- 4 DMX Channels**
- RDM (Remote Device Management)**
- Direct DMX Auto Addressing Option**
- Integrated Adjustable Yoke or Flush Mounting Options**
- Flicker Free Operation for Broadcast TV and FILM**
- 18W Max Power Consumption**

### ELAR Q1 PSU™ FEATURES

- 24VDC Output**
- Max (15) Linked ELAR Q1™ Units Each**
- 300W Max Power Consumption**
- AC 100-240V - 50/60Hz**



Specifications are subject to change without notice ©Elation Professional

Elation Professional USA | 6122 S. Eastern Ave. | Los Angeles, CA. 90040  
323-582-3322 | 323-832-9142 fax | www.elationlighting.com | info@elationlighting.com

Elation Professional B.V. | Junostraat 2 | 6468 EW Kerkrade, Netherlands  
+31 45 546 85 66 | +31 45 546 85 96 fax | www.elationlighting.eu | info@elationlighting.eu

**PRODUCT SPECIFICATIONS**

**ELAR Q1™**

**FEATURES**

IP65 Rated  
 7° Beam 14° Field Angles  
 RDM (Remote Device Management)  
 Direct DMX Auto Addressing Option

**SOURCE**

18W RGBW Quad LED  
 100,000 Average Hour LED Life

**PHOTOMETRIC DATA**

9,310 LUX (865 FC) @3.3 ft. (1m) 7° Full ON

**COLOR**

16.7 Million Colors / 8 Bits Per Color

**CONTROL / CONNECTIONS**

4 DMX Channels  
 8pin Data/Power Combo IP Cables In/Out  
 Multiple Unit Linkable (Max 15 units per ELAR PSU 10™)

**SIZE / WEIGHT**

Length: 3.8" (96mm)  
 Width: 2.9" (73mm)  
 Vertical Height: 2.9" (73mm)  
 Weight: 1.1 lbs. (0.5kg)

**ELECTRICAL / THERMAL**

24VAC  
 18W Max Power Consumption  
 14°F to 113°F (-10°C to 45°C)

**APPROVALS / RATINGS**

CE  
 IP65

**ELAR PSU 10™**

**FEATURES**

IP65 Rated  
 24VAC Output  
 Max (15) Linked ELAR Q1™ Units Each

**CONTROL / CONNECTIONS**

DMX 512  
 RDM (Remote Device Management)  
 8pin Data/Power Combo IP Cables In/Out

**SIZE / WEIGHT**

Length: 12.4" (315mm)  
 Width: 5.7" (145mm)  
 Vertical Height: 2.6" (67mm)  
 Weight: 2.2 lbs. (1.0kg)

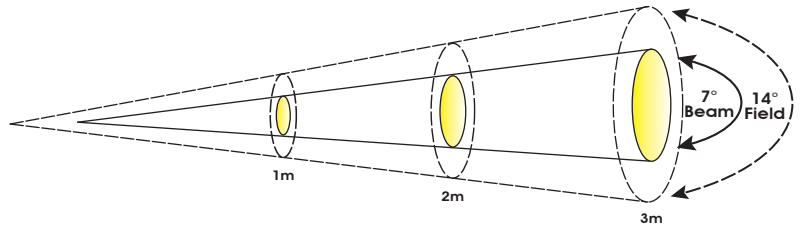
**ELECTRICAL / THERMAL**

AC 100-240V - 50/60Hz  
 300W Max Power Consumption  
 14°F to 113°F (-10°C to 45°C)

**APPROVALS / RATINGS**

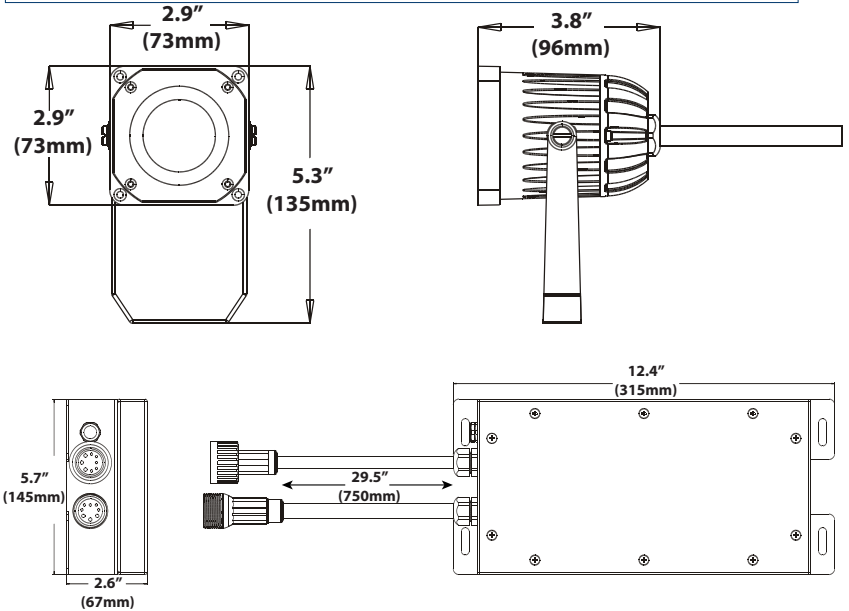
IP65

**PHOTOMETRIC DATA**



Distance	m		ft		m		ft		m		ft	
	1	3.3	2	6.6	3	9.8	1	3.3	2	6.6	3	9.8
7° Beam Diameter	0.12	0.4	0.24	0.8	0.36	1.2						
14° Field Diameter	0.24	0.8	0.48	1.6	0.72	2.4						
	<b>lux</b>	<b>fc</b>	<b>lux</b>	<b>fc</b>	<b>lux</b>	<b>fc</b>						
RED	1,520	141	425	39	175	16						
GREEN	4,310	400	1,218	113	516	48						
BLUE	630	59	172	16	175	16						
WHITE	4,452	414	1,276	119	554	51						
FULL ON	9,310	865	2,698	251	1,170	109						

**DIMENSIONAL DIAGRAMS**



**ORDERING INFORMATION / OPTIONAL ACCESSORIES**

ORDER CODE	ITEM
EAR913	ELAR Q1™ LED Fixture
EAR925	ELAR PSU 10™ Power Supply
60413010144	Starter Y-Cable
60413010146	3.3 ft (1m) Power Cable
60413010149	Extension Y-Cable
60413010145	3.3 ft (1m) Power/Data Extension Cable
60413990038	3.3 ft (1m) Power/Data Extension Cable

