

# FUZE PAR 175™



The FUZE PAR 175™ is a single source silent operating par with zoom featuring a 175W RGBW COB LED engine, 8° to 35° motorized zoom, an advanced cooling system, smooth RGBW color mixing, 64 color presets and 14 unique color macros, electronic strobe and 16-bit variable dimming curve modes, flicker free operation for TV and FILM, 3/5pin DMX and powerCON in/out connections, (4) button LCD control display panel, integrated dual rigging yokes, and a multi-voltage universal auto switching power supply (100-240v). Gel frame and barn doors included.



## FEATURES

**Single Source Silent Operating Par with Zoom**

**175W RGBW COB LED Engine**

**Advanced Cooling System**

**8° to 35° Motorized Zoom**

**Smooth RGBW Color Mixing**

**16-bit Variable Dimming Curve Modes**

**64 Color Presets and Color Macro Programs**

**RDM (Remote Device Management)**

**Flicker Free Operation for TV and FILM**

**Multiple Unit Power Linking**

**Gel Frame and Barn Doors Included**



Specifications subject to change without notice ©Elation Professional 04/17/17

Elation Professional USA | 6122 S. Eastern Ave. | Los Angeles, CA. 90040  
323-582-3322 | 323-832-9142 fax | www.elationlighting.com | info@elationlighting.com

Elation Professional B.V. | Junostraat 2 | 6468 EW Kerkrade, The Netherlands  
+31 45 546 85 66 | +31 45 546 85 96 fax | www.elationlighting.eu | info@elationlighting.eu

**PRODUCT SPECIFICATIONS**

**SOURCE**

175W RGBW COB LED  
50,000 Hour Average LED Life\*

\*May vary depending on several factors including but not limited to:  
Environmental Conditions, Power/Voltage, Usage Patterns (On-Off Cycling), Control and Dimming.

**PHOTOMETRIC DATA**

15,026 LUX 1396 FC LUX FC @6.6' (2m) (8° Full ON)  
3,481 LUX 323 FC LUX FC @6.6' (2m) (35° Full ON)

**EFFECTS**

8° - 35° Motorized Zoom  
64 Color Presets and Color Macro Programs  
Electronic Strobe  
16-bit Variable Dimming Curve Modes

**COLOR**

RGBW

**CONTROL / CONNECTIONS**

12 DMX Channel Modes (14 Total Channels)  
4 Button Control Panel and LCD Menu Display  
RDM (Remote Device Management)  
5pin DMX and powerCON TRUE1 In/Out

**SIZE / WEIGHT**

Length: 18.2" (463mm)  
Width: 16.2" (411mm)  
Vertical Height: 17.0" (431mm)  
Weight: 20.0 lbs. (9.07kg)

**ELECTRICAL / THERMAL**

AC 100-240V - 50/60Hz  
200W Max Power Consumption  
Multiple Unit Power Linking  
5°F to 113°F (-15°C to 45°C)

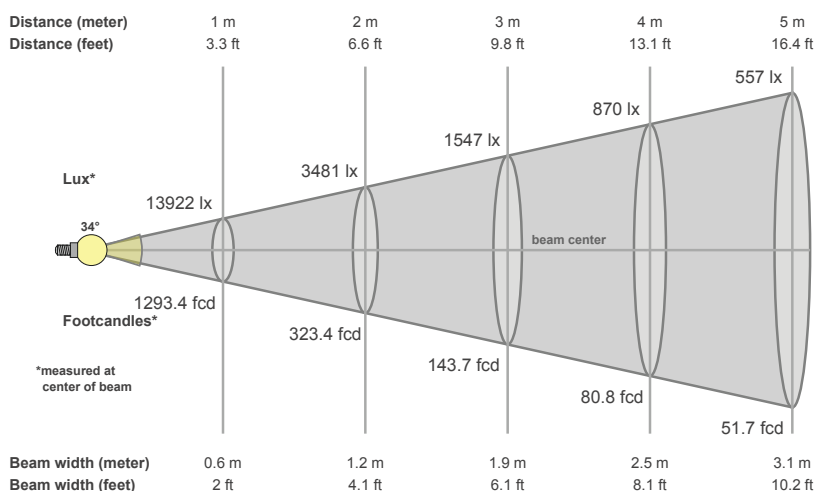
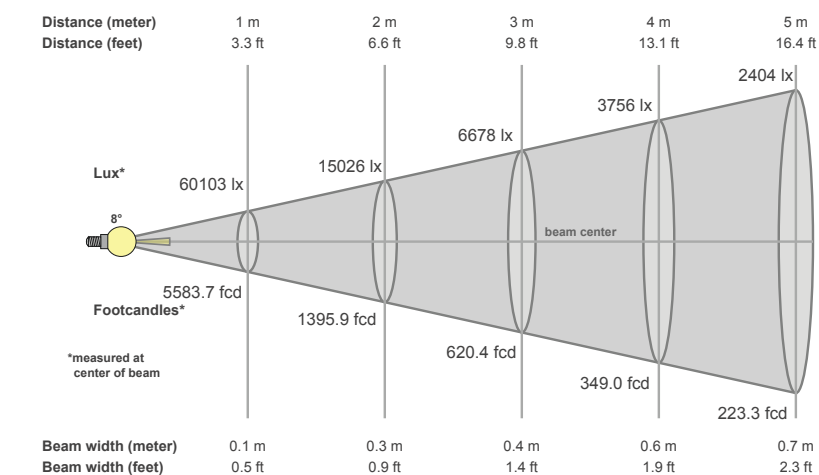
**INCLUDED ITEMS**

Gel Frame  
Barn Doors  
powerCON Power Cable

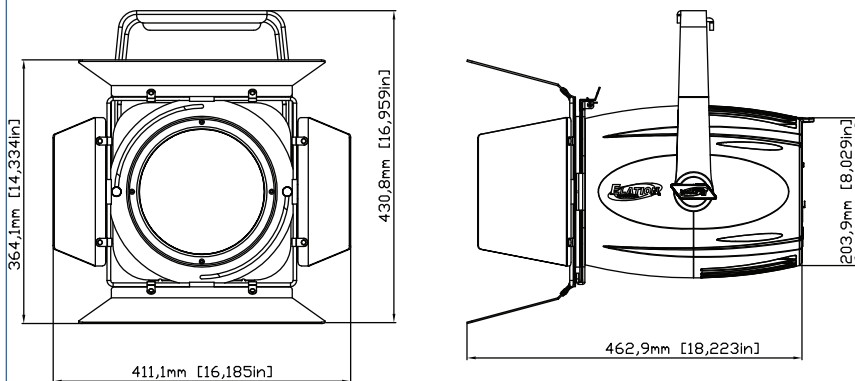
**APPROVALS / RATINGS**



**PHOTOMETRIC DATA**



**DIMENSIONAL DIAGRAMS**



**ORDERING INFORMATION**

<b>FUZ761</b>	FUZE WASH 575
<b>TRIGGER CLAMP</b>	Heavy Duty Wrap Around Hook Style Clamp
<b>SCABLE60</b>	24" (610mm) 60 lbs. (27 kg) Rated Safety Cable
<b>AC3PDMX5PRO</b>	5 ft. (1.5m) 3pin PRO DMX Cable (Additional cable lengths available)
<b>AC5PDMX5PRO</b>	5 ft. (1.5m) 5pin PRO DMX Cable (Additional cable lengths available)
<b>PLC2</b>	2 ft. powerCON Link Cable Link Cable

