



PLATINUM FLX™

SKU# EPF001



The new award winning Platinum FLX™ is an innovative full featured patent pending design 3-in-1 luminaire which can be utilized as a beam, spot, or wash fixture, featuring the brand new Philips™ MSD Platinum 20R 470W 80CRI lamp, 7,800K, 23,000 total lumens delivering comparable output to 1,200W fixtures, 1.8° to 18° zoom in beam mode and 2.9° to 25° zoom in spot mode, 6° - 42° zoomable wash / frost effect, full CMY color mixing plus linear CTO color correction, 10 dichroic colors including UV, and CTB, 8 rotating-interchangeable and 6 static-stamped gobos, 6-way linear and 8-facet rotating prisms, bi-directional animation and zoomable wash / frost effects, DMX, RDM (Remote Device Management), KlingNET™, Art-NET and sACN support, 5pin DMX, RJ45 Ethernet, and powerCON connections, (6) button control full color 180° reversible menu display, 740W max power consumption, and a multi-voltage universal auto switching power supply (100-240v).



FEATURES

Patent Pending Beam, Spot, and Wash 3-in-1 Luminaire

New Philips™ MSD Platinum 20R 470W 80CRI Lamp

23,000 Total Lumens, 7,800K, 1,500 average hours*

Comparable Output To 1,200W Fixtures

Minimal LUX Loss in Spot Mode

1.8° - 18° Beam and 2.9° - 25° Spot Zoom

6° - 42° Zoomable Wash / Frost Effect

6-Way Linear and 8-Facet Rotating Prisms

Bi-Directional Animation and Zoomable Wash/Frost Effects

Full CMY Color Mxing and Linear CTO Color Correction

10 Dichroic Colors Including UV, CTB, + White

8 Rotating Interchangeable + 6 Static-Stamped Gobos

RDM, KlingNET™, Art-NET and sACN (DMX Over Ethernet)



PRODUCT SPECIFICATIONS

SOURCE

Philips™ MSD Platinum 20R 470W Lamp
1,500 Hour Average Lamp Life*

*Lamp Life may vary depending on several factors including but not limited to: Environmental Conditions, Power/Voltage, Usage Patterns (On-Off Cycling), Control and Dimming.

PHOTOMETRIC DATA

23,000 Total Lumens, 7,800K, 80CRI
360,000 LUX 33,444 FC @32.8' (10m) (1.8° Beam Mode)
165,500 LUX 15,375 FC @32.8' (10m) (2.9° Spot Mode)

EFFECTS

6-Way Linear and 8-Facet Rotating Prisms
Bi-Directional Animation
6° - 42° Zoomable Wash / Frost Filter
Strobe and Electronic Dimming

COLOR

Full CMY Color Mixing
Linear CTO Color Correction
10 Dichroic Colors Including UV and CTB

GOBOS

(2) Gobo Wheels
(8) Interchangeable / Rotating / Indexing Gobos
(6) Static-Stamped Gobos (Indexing Wheel)

CONTROL / CONNECTIONS

(3) DMX Channel Modes (24 / 26 / 37)
RDM (Remote Device Management)
6 Button Touch Control Panel
Full Color 180° Reversible LCD Menu Display
8 / 16 Bit Resolution Adjustable Movement
5pin DMX In/Out
RJ45 Ethernet In/Out (KlingNET™, Art-NET, sACN)
powerCON Power In

SIZE / WEIGHT

Length: 18.3" (466mm)
Width: 20.9" (532mm)
Vertical Height: 30.0" (762mm)
Weight: 75.0 lbs. (34.0 kg)

ELECTRICAL / THERMAL

AC 100-240V - 50/60Hz
740W Max Power Consumption
14°F to 113°F (-10°C to 45°C)

APPROVALS / RATINGS

CE | IP20

INSTALLATION

Rigging: Clamps (Not Included)
Working Position: Flat Surface / Inverted (180°)

PHOTOMETRIC DATA

BEAM MODE	10 m	32.8 ft	15 m	49.2 ft	20 m	65.6 ft
1.8° Min	0.31	1.0	0.47	1.5	0.62	2.0
18° Max	3.16	10.4	4.75	15.6	6.32	20.7
	lux	fc	lux	fc	lux	fc
1.8° FULL ON	360,000	33,444	169,000	15,700	90,100	8,370
18° FULL ON	12,000	1,115	5,420	504	3,100	288
	lux	fc	lux	fc	lux	fc
SPOT MODE	10 m	32.8 ft	15 m	49.2 ft	20 m	65.6 ft
2.9° Min	0.6	2.0	0.8	2.6	1.0	3.3
25° Max	6.08	19.9	8.1	26.6	10.2	33.5
	lux	fc	lux	fc	lux	fc
2.9° FULL ON	165,500	15,375	95,500	8,872	59,020	5,483
25° FULL ON	2,657	247	1,497	139	907	84
	lux	fc	lux	fc	lux	fc

COLORS AND GOBOS*

*Not To Scale - For Illustrations Purposes Only - Subject To Change Without Notice

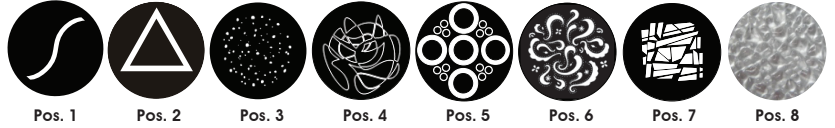
COLOR WHEEL



COLOR FLAGS



INTERCHANGEABLE-ROTATING GOBO WHEEL 1 - OD: Ø16.1mm ID: Ø10.0mm**



STATIC-STAMPED GOBO WHEEL 2



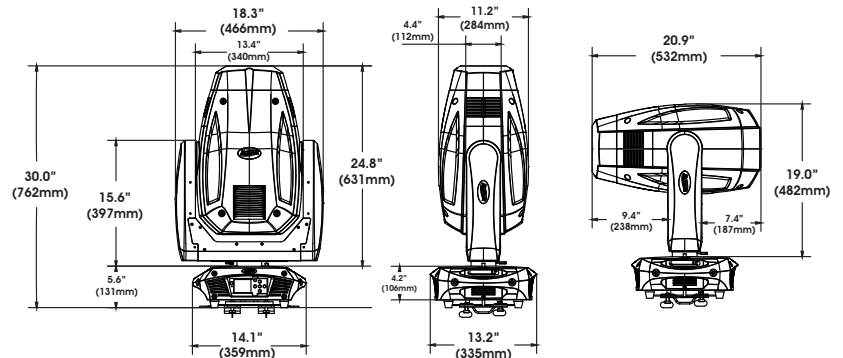
BI-DIRECTIONAL ANIMATION WHEEL



****IMPORTANT NOTICE REGARDING GOBO DIMENSIONS AND CUSTOM GOBOS**

OD = Outside Diameter | ID = Image Diameter
Due to varying manufacturing processes, it is highly recommended to provide a gobo and holder sample from the fixture to 3rd party custom gobo vendors for accurate sizing.

DIMENSIONAL DIAGRAMS



OPTIONAL ACCESSORIES

ORDER CODE	ITEM
TRIGGER CLAMP	Heavy Duty Wrap Around Hook Style Clamp
DRCLXTOUR	Touring Dual Road Case For Platinum FLX™
EWDMXSYSTEM	Wireless DMX System (Transmitter & Receiver)
AC5PDMX5PRO	5 ft. (1.5m) 5pin PRO DMX Cable
CAT005	5' (1.5m) CAT6 EtherCON Cable
	Additional cable lengths available

Specifications are subject to change without notice ©Elation Professional 2/09/15



Elation Professional USA | 6122 S. Eastern Ave. | Los Angeles, CA. 90040
323-582-3322 | 323-832-9142 fax | www.elationlighting.com | info@elationlighting.com

Elation Professional B.V. | Junostraat 2 | 6468 EW Kerkrade, The Netherlands
+31 45 546 85 66 | +31 45 546 85 96 fax | www.elationlighting.eu | info@elationlighting.eu