



PLATINUM HFX™

SKU# EPH201

The new Platinum HFX™ is a hybrid versatile 3-in-1 luminaire which can be utilized as a beam, spot, or wash fixture, featuring the brand new Philips™ MSD Platinum 14R 280W 80CRI lamp, 7,800K, 12,000 total lumens, 2.3° to 15° zoom in beam mode, 3° to 22° zoom in spot mode, and 10° to 34° zoom in wash mode, 13 dichroic colors including UV and a new Quad Color (RGBY) filter, CTO and CTB color correction, 8 rotating-interchangeable and 12 static-stamped gobos, 10-facet, 8-facet, and linear prisms, wash frost effects, DMX, RDM (Remote Device Management), and Art-NET support, 5pin DMX, RJ45 Ethernet, and powerCON in/out connections, (6) button control full color 180° reversible menu display, and a multi-voltage universal auto switching power supply (100-240v).

FEATURES

Hybrid Beam, Spot, and Wash 3-in-1 Luminaire

New Philips™ MSD Platinum 14R 280W 80CRI Lamp

12,000 Total Lumens, 7,800K, 2,000 average hours*

2.3° - 15° Beam, 3° - 22° Spot, and 10° - 34° Zoom

10-Facet, 8-Facet, and Linear Prisms / Wash Frost Effects

13 Dichroic Colors Including UV and Quad Color (RGBY)

CTO and CTB CTO Color Correction

8 Rotating Interchangeable / 12 Static-Stamped Gobos

RDM and Art-NET (DMX Over Ethernet)



PRODUCT SPECIFICATIONS

SOURCE

Philips™ MSD Platinum 14R 280W Lamp
2,000 Hour Average LED Life*

*LED Life may vary depending on several factors including but not limited to: Environmental Conditions, Power/Voltage, Usage Patterns (On-Off Cycling), Control and Dimming.

PHOTOMETRIC DATA

12,000 Total Lumens, 7,800K, 80CRI
125,800 LUX 11,687 FC @49.2' (15m) (2.3° Beam)
13,375 LUX 1,243 FC @49.2' (15m) (3.0° Spot)
11,500 LUX 1,068 FC @16.4' (5m) (10.8° Wash)

EFFECTS

8-Facet and Linear Rotating and 10-Facet Static Prisms
Strobe and Mechanical Dimming
Zoom and Wash Frost Filter

COLOR

13 Dichroic Colors Including UV and Quad Color (RGBY)
CTO and CTB Color Correction

GOBOS

(2) Gobo Wheels
(8) Interchangeable-Rotating / Indexing Gobos
(12) Static-Stamped Gobos (Indexing Wheel)

CONTROL / CONNECTIONS

(3) DMX Channel Modes (17 / 19 / 26)
RDM (Remote Device Management)
6 Button Touch Control Panel
Full Color 180° Reversible LCD Menu Display
8 / 16 Bit Resolution Adjustable Movement
5pin DMX In/Out
RJ45 Ethernet In/Out (Art-NET)
powerCON Power In/Out

SIZE / WEIGHT

Length: 15.2" (386.4mm)
Width: 16.9" (430mm)
Vertical Height: 25.9" (675.5mm)
Weight: 50.0 lbs. (22.7 kg)

ELECTRICAL / THERMAL

AC 100-240V - 50/60Hz
450W Max Power Consumption
14°F to 113°F (-10°C to 45°C)

APPROVALS / RATINGS



OPTIONAL ACCESSORIES

ORDER CODE	ITEM
TRIGGER CLAMP	Heavy Duty Wrap Around Hook Style Clamp
** pending **	Road Case For Platinum HFX™
EWDMXSYSTEM	Wireless DMX System (Transmitter & Receiver)
AC5PDMX5PRO	5 ft. (1.5m) 5pin PRO DMX Cable
CAT6PRO5	5' (1.5m) CAT6 EtherCON Cable
PLC3	3' (1m) PowerCON PRO Link Cable
	Additional cable lengths available

PHOTOMETRIC DATA

BEAM MODE	15 m	49.2 ft	5 m	16.4 ft
2.3° Min	1.16	3.8	2.76	9.1
	lux	fc	lux	fc
FULL ON	125,800	11,687	40,320	3,746
SPOT MODE	15 m	49.2 ft	5 m	16.4 ft
3.0° Min	1.5	4.9	4	13.1
	lux	fc	lux	fc
FULL ON	13,375	1,243	3,575	332
WASH MODE	5 m	16.4 ft	5 m	16.4 ft
10.8° Min	1.88	6.2	6.2	20.3
	lux	fc	lux	fc
FULL ON	11,500	1,068	812	75

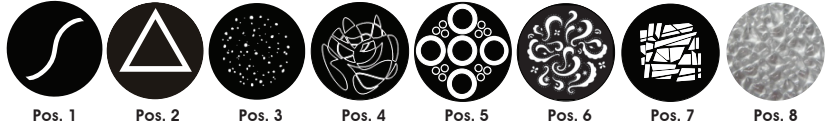
COLORS AND GOBOS*

*Not To Scale - For Illustrations Purposes Only - Subject To Change Without Notice

COLOR WHEEL



INTERCHANGEABLE-ROTATING GOBO WHEEL 1 - OD: Ø13.8mm ID: Ø9.0mm**



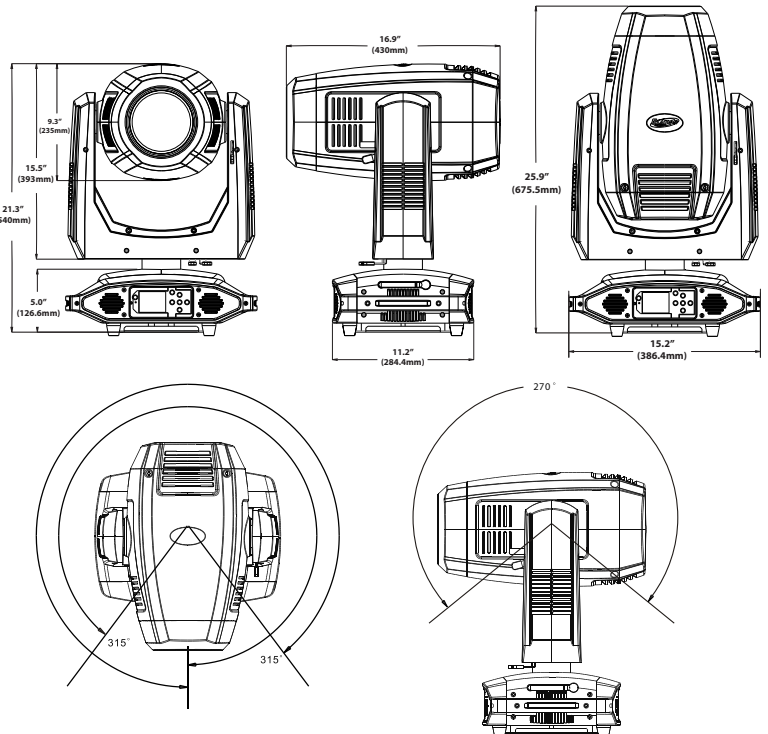
STATIC-STAMPED GOBO WHEEL 2



****IMPORTANT NOTICE REGARDING GOBO DIMENSIONS AND CUSTOM GOBOS**

OD = Outside Diameter | ID = Image Diameter
Due to varying manufacturing processes, it is highly recommended to provide a gobo and holder sample from the fixture to 3rd party custom gobo vendors for accurate sizing.

DIMENSIONAL DIAGRAMS



Specifications are subject to change without notice ©Elation Professional 07/24/16

