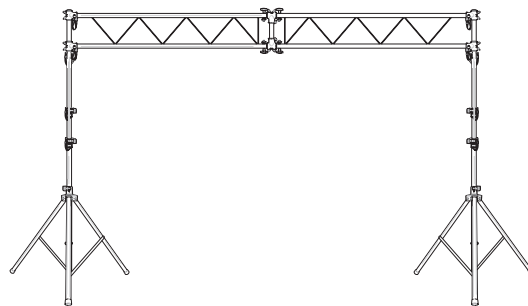


eurolite® SHOW STAND III

Lighting Stand 3 m

No. 59007030



www.eurolite.de

EN USER MANUAL

Thank you for purchasing this lighting stand set. The set serves for the stable mounting and height-adjustable positioning of spotlights. The set is designed for even load distribution of up to 50 kg and intended for professional use in the field of event technology, e.g. on stage. Please read these operating instructions carefully before using the product. They contain important information for the correct use of your product. Please keep them for future reference.

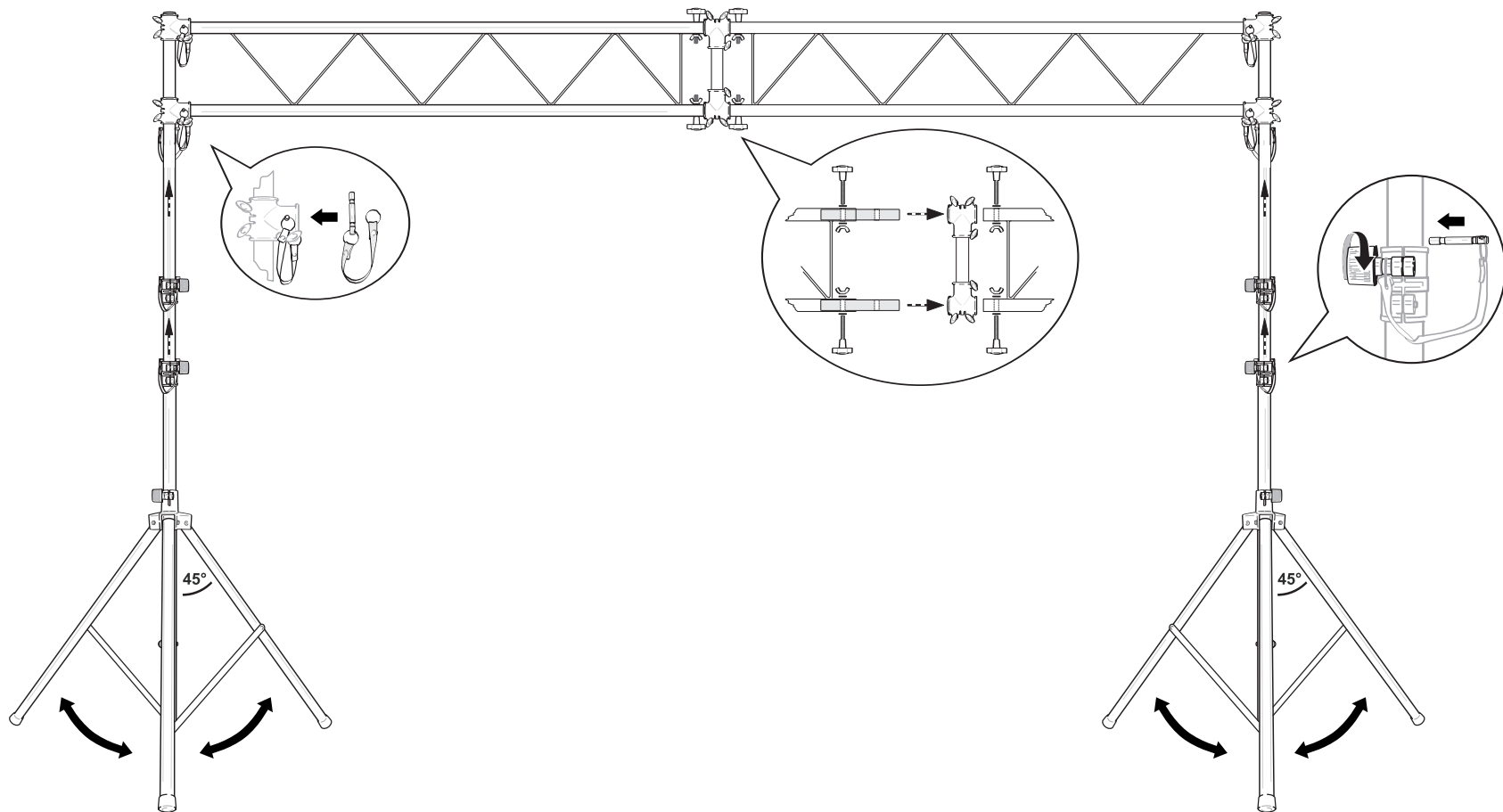
FEATURES

- Set consisting of 2 x stand and 2 x 2-point truss
- Quick and easy setup
- Width 3 m
- Adjustable height 170-320 cm
- Stable aluminum/steel version
- Scratch-resistant black finish
- Tube diameter stand/truss Ø35 mm each
- Max. load capacity 50 kg (evenly distributed)
- Weight 12.7 kg

SAFETY INSTRUCTIONS



- Only use the product according to the instructions given herein. Damages due to failure to follow these operating instructions will void the warranty! We do not assume any liability for any resulting damage.
- We do not assume any liability for material and personal damage caused by improper use or non-compliance with the safety instructions. In such cases, the warranty/guarantee will be null and void.
- Unauthorized rebuilds or modifications of the product are not permitted for reasons of safety and render the warranty invalid.
- This product is not a toy. Keep it out of the reach of children. Do not leave packaging material lying around carelessly.
- This product is intended for indoor use only. Using it outdoors could lead to product failure and personal injury.
- Never exceed the maximum load of the stand. In case of overload, the stand may tip over and cause injuries and property damage.
- The stand must always be set up on firm and even ground (max. inclination 5°) capable of supporting the weight of both the stand and the load. When the stand is installed on soft or uneven ground, the stand may tip over and cause injuries and property damage.
- If a loaded stand with raised extension tubes is moved, the stand may tip over and cause injuries and property damage. Remove installed devices and lower the extension tubes before moving the stand.
- Devices in overhead installations may cause severe injuries when crashing down! Make sure that the devices are installed securely on the truss and cannot fall down. The devices must be additionally secured with e.g. an appropriate safety bond. Make sure that the installation complies with the standards and rules that apply in your country.
- The installer is responsible for adhering to the carrying capacity given by the manufacturer, the safety requirements and the qualification of possible co-workers.
- After installation, this product requires inspections periodically to prevent the possibility of rot, deformation and looseness.
- Before taking into operation, check upon possible damages. If defective, the stand must not be taken into operation.
- This product is maintenance-free, except for occasional cleaning. You can use a slightly dampened cloth for cleaning.
- Comply with all applicable disposal laws in your country.
- Should you have further questions, please contact your dealer.



ASSEMBLY

Step 1 – Assemble truss parts

- Assemble both truss parts with the center strut and the two straight connectors. Start by inserting the connectors into the first truss and fix them with the screws.
- Fasten the center strut to the truss with two T-pieces.
- Then insert the connectors into the second truss and fix them with the screws.
- Attach two T-pieces each at the outer ends of the truss elements.

Step 2 – Attach truss to stands

- Loosen the safety screw of the legs. Pull out the legs. Lock this position with the safety screw.
- Attach the truss at the stands and fix it with the safety screws. Insert the locking pins.
- Loosen the safety screws of the extension tubes and pull them out to the desired height. This step is ideally carried out by two persons.
- Insert the locking pins to secure the height adjustment. Tighten the safety screws again.

Step 3 – Install spotlights

- Mount your spotlights to the truss. Arrange the fixtures as balanced as possible and additionally secure them e.g. with a safety bond. Observe the instructions of the respective manufacturers. The maximum load capacity of 50 kg in total must not be exceeded.

Disassembly

- Disassembly is effected in reverse order.