



RAYZOR 360Z™

SKU# RAY552

The RAYZOR 360Z™ is a brilliant compact beam moving effect luminaire with (3) 60W Osram™ RGBW LEDs. Features include 8° to 77° motorized zoom, fast and precise 16-bit continuous full 360° pan and tilt rotation, full pixel control, adjustable color temperature (2,700K - 8,000K), electronic strobe, dimmer, and variable dimming curve effects, DMX, RDM (Remote Device Management), Art-NET, and sACN protocol support, 5pin XLR, RJ45 etherCON, and powerCON TRUE1 in/out connections, (7) button control full color 180° reversible menu display, multiple unit power linking, flicker free operation for TV and FILM, and a multi-voltage universal auto switching power supply (100-240v).

FEATURES

Compact Beam Moving Effect Luminaire with Zoom

(3) 60W Osram™ RGBW LEDs

8° to 77° Motorized Zoom and Full Pixel Control

Fast and Precise 16-Bit Continuous 360° Pan/Tilt Rotation

8 Color Presets and 8 Chase Macros

Linear Color Temperature Presets (2,700 - 8,000K)

Electronic Strobe and Variable Dimming Curve Effects

Flicker Free Operation for Broadcast TV and FILM

Adjustable Refresh Rate Frequency and GAMMA

DMX, RDM, and Art-NET, sACN Protocol Support



Specifications are subject to change without notice ©Elation Professional 01/10/17

Elation Professional USA | 6122 S. Eastern Ave. | Los Angeles, CA. 90040
323-582-3322 | 323-832-9142 fax | www.elationlighting.com | info@elationlighting.com

Elation Professional B.V. | Junostraat 2 | 6468 EW Kerkrade, The Netherlands
+31 45 546 85 66 | +31 45 546 85 96 fax | www.elationlighting.eu | info@elationlighting.eu

PRODUCT SPECIFICATIONS

SOURCE

(3) 60W Osram™ RGBW LEDs
50,000 Hour Average LED Life*

*LED Life may vary depending on several factors including but not limited to:
Environmental Conditions, Power/Voltage, Usage Patterns (On-Off Cycling), Control and Dimming.

PHOTOMETRIC DATA

28,020 LUX 2,603 FC @6.6' (2m) (8° Min Zoom) Full ON
545 LUX 51 FC @6.6' (2m) (77° Max Zoom) Full ON

EFFECTS

8° - 77° Beam Angle Zoom
Linear Color Temperature Presets (2,700 - 8,000K)
RGBW Color Mixing and Pixel Control
8 Color Presets and 8 Chase Macros
Electronic Strobe and Variable Dimming Curves

COLOR

RGBW

CONTROL / CONNECTIONS

(3) DMX Channel Modes (20 / 26 / 32)
360° Continuous Pan and Tilt Movement
Adjustable Refresh Rate (900-25,000 Hz)
Adjustable Gamma Brightness (2.0, 2.2, 2.4, 2.8)
(6) Button Touch Control Panel
8 / 16 Bit Resolution Adjustable Movement
Full Color 180° Reversible LCD Menu Display
5pin XLR DMX In/Out
RDM (Remote Device Management)
RJ45 etherCON In/Out (Art-NET. sACN)
powerCON TRUE1 Power In/Out

SIZE / WEIGHT

Length: 11.0" (280.6mm)
Width: 7.9" (199.5mm)
Vertical Height: 16.6" (422.1mm)
Weight: 17.0 lbs. (7.7 kg)

ELECTRICAL / THERMAL

AC 100-240V - 50/60Hz
300W Max Power Consumption
5F to 113°F (-15°C to 45°C)

INCLUDED ITEMS

Omega Bracket
powerCON TRUE1 Cable

APPROVALS / RATINGS



OPTIONAL ACCESSORIES

ORDER CODE	ITEM
TRIGGER CLAMP	Heavy Duty Wrap Around Hook Style Clamp
*** TBD ***	Road Case For RAYZOR 360Z™
NEU088	3' (1m) PowerCON TRUE1 PRO Link Cable
CAT6PRO5	5' (1.5m) CAT6 EtherCON Cable
AC5PDMX5PRO	5 ft. (1.5m) 5pin PRO DMX Cable
	Additional cable lengths available

PHOTOMETRIC DATA

MIN ZOOM - 8° Beam Diameter

2 m	6.6 ft	5 m	16.4 ft	7.5 m	24.6 ft
0.35	1.1	0.7	2.3	1.05	3.4

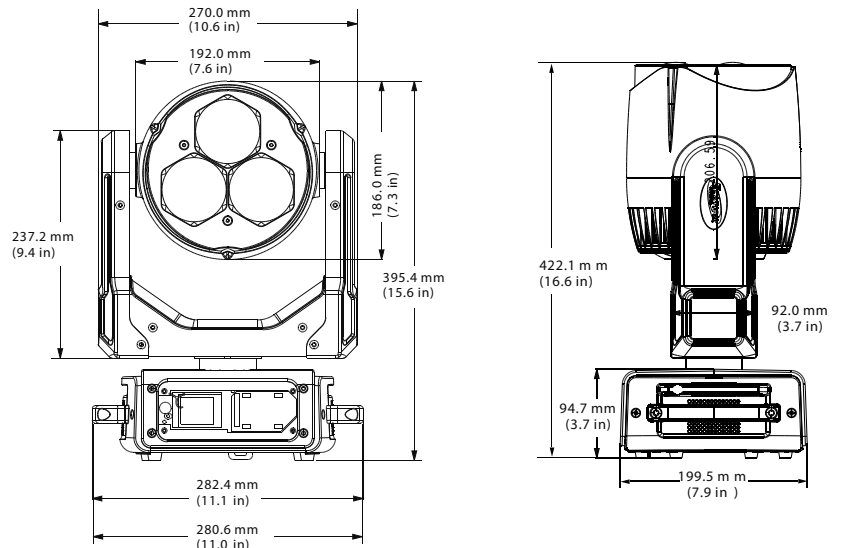
	lux	fc	lux	fc	lux	fc
RED	4,214	391	995	92	418	39
GREEN	10,540	979	2,547	237	1,126	105
BLUE	1,290	120	310	29	139	13
WHITE	15,530	1,443	3,802	353	1,675	156
FULL ON	28,020	2,603	6,490	603	2,880	268

MAX ZOOM - 77° Beam Diameter

2 m	6.6 ft	5 m	16.4 ft	7.5 m	24.6 ft
3.95	13.0	7.91	26.0	11.87	0.0

	lux	fc	lux	fc	lux	fc
RED	96	9	26	2	13	0
GREEN	224	21	59	5	30	0
BLUE	28	3	8	1	4	0
WHITE	309	29	87	8	44	0
FULL ON	545	51	153	14	78	0

DIMENSIONAL DIAGRAMS



Specifications are subject to change without notice ©Elation Professional 01/10/17

Elation Professional USA | 6122 S. Eastern Ave. | Los Angeles, CA. 90040
323-582-3322 | 323-832-9142 fax | www.elationlighting.com | info@elationlighting.com

Elation Professional B.V. | Junostraat 2 | 6468 EW Kerkrade, The Netherlands
+31 45 546 85 66 | +31 45 546 85 96 fax | www.elationlighting.eu | info@elationlighting.eu