
Thank you for choosing our product

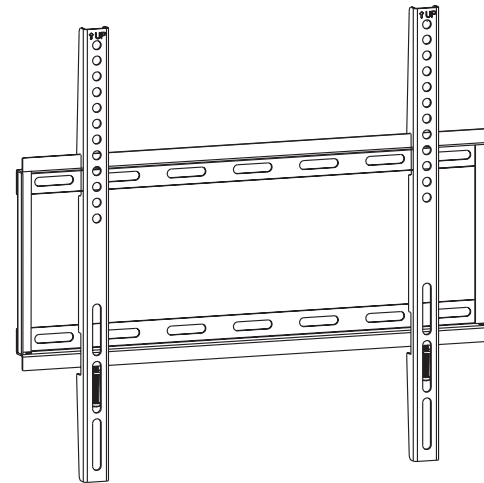
⚠ Warning

This product contains small items that could be a choking hazard if swallowed. Keep these items away from young children!

1. Make sure these instructions are read and completely understood before attempting installation. If you are unsure of any part of this installation, contact a professional installer for assistance.
2. The wall or mounting surface must be capable of supporting the combined weight of the mount and the display; otherwise the structure must be reinforced.
3. Safety gear and proper tools must be used. A minimum of two people are required for this installation. Failure to use safety gear can result in property damage, serious injury or death.

INSTALLATION GUIDE

Wall mount LCH-32/47 for LCD monitors

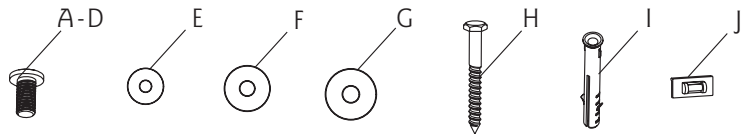
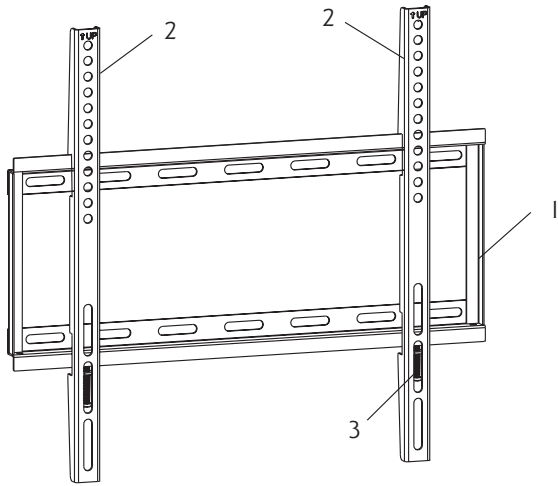


- TV Size Range: 32"~47"
- Maximum Weight Capacity: 35kg/77lbs
- Locked by safety bolt on the bottom

⚠ CAUTION

This product was designed to be installed on wood stud walls and solid concrete walls. Before installing make sure the supporting surface will support the combined load of the equipment and hardware. Never exceed the Maximum Load Capacity. This product is intended for indoor use only. Use of this product outdoors could lead to product failure or personal injury.

Hardware List:



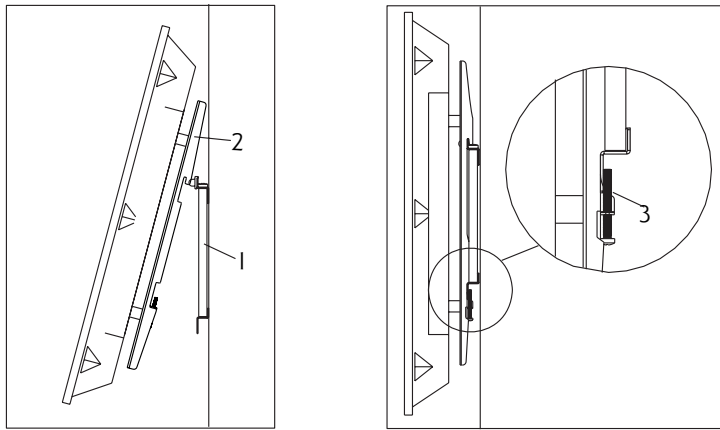
ID	Qty	Description
1	1	Wall plate
2	2	Bracket
3	2	Safety bolt
A	4	M4×12mm bolt
B	4	M5×12mm bolt
C	4	M6×12mm bolt

ID	Qty	Description
D	4	M8×12mm bolt
E	4	Washer(5φ5.3Xφ12X1.2)
F	4	Washer(6φ6.3Xφ16X1.5)
G	4	Long bolt washer
H	4	Long bolt
I	4	Wall anchor
J	1	Bubble level

Part 3-Mounting the flat panel screen

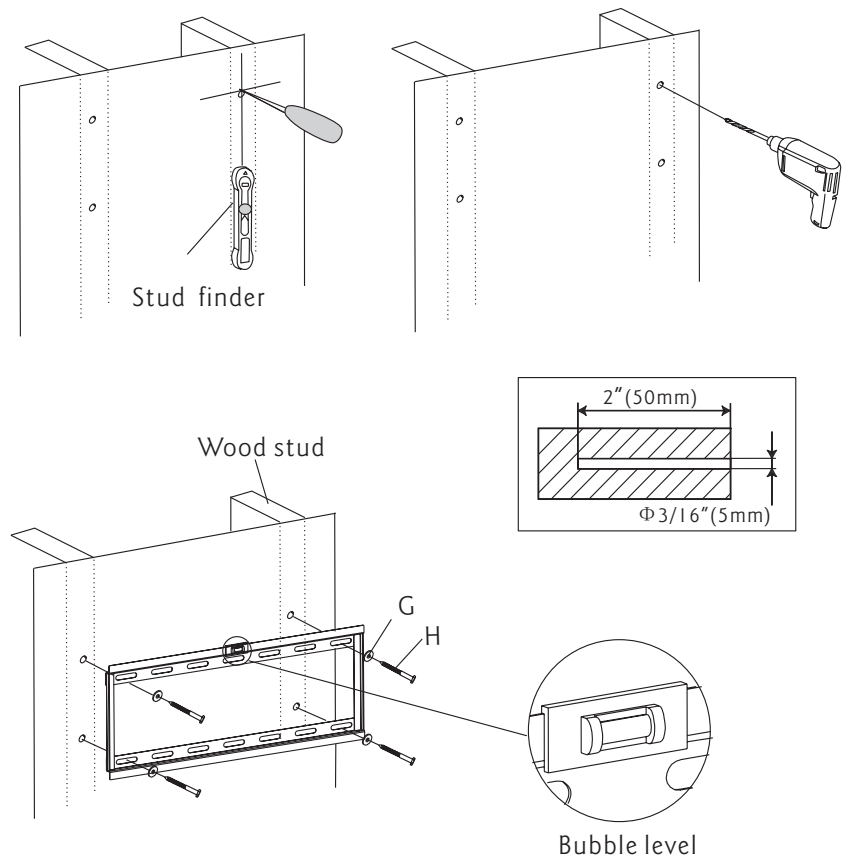
Hook the top of brackets(2) onto the top flange of wall plate(1). Then swing the screen down. Tighten the safety bolt(3) on each bracket to lock the screen into place.

NOTE: Always use an assistant or mechanical lifting equipment to safely lift and position heavy equipment.



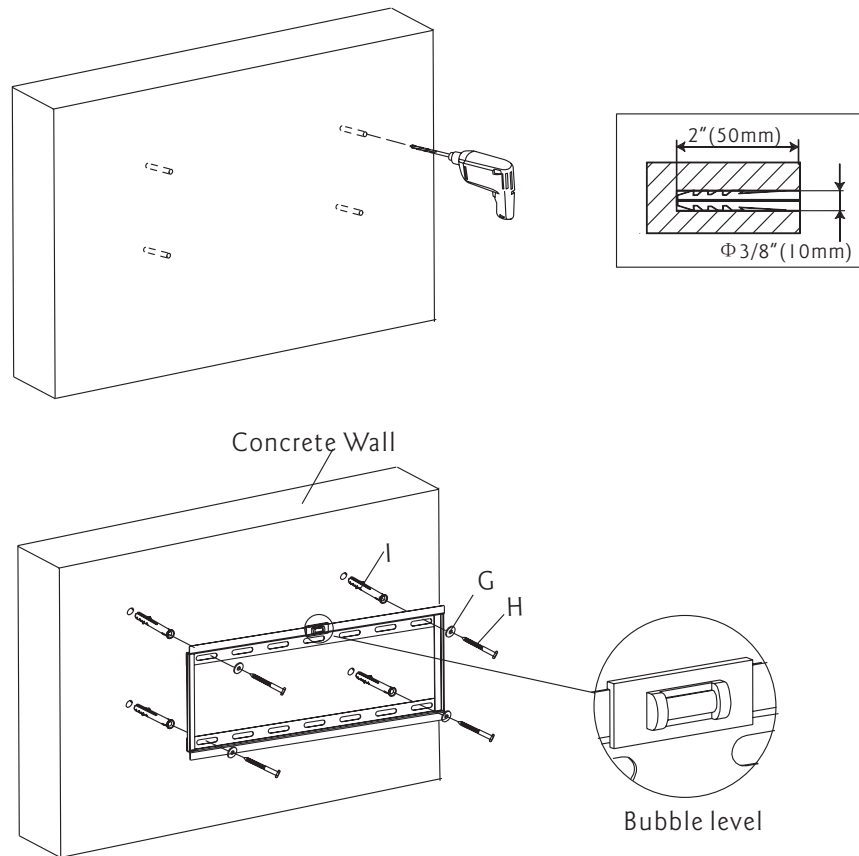
Part 1 a-Wood Stud Mounting

Use wall plate(1) as a template, make sure it is level, and mark four mounting holes along the center lines of the wood studs. Drill four 3/16" (5mm) dia. holes 2" (50mm) deep. Level wall plate(1) and attach to wall with four long bolts(H) and four washers(G). Tighten screws firmly. Do not overtighten.



Part 1b-Concrete Wall Mounting

Level wall plate(I) and use wall as a template to mark four holes. Drill four 3/8" (10mm) dia. holes 2" (50mm) deep. Insert four anchors(I) into holes and secure wall plate with four long bolts(H) and four washers(G). Tighten screws firmly. Do not overtighten.



Part 2-Attaching Brackets To Screen

Center brackets vertically on back of screen. Select the small(A), medium (B or C) or large(D) screws. M4 and M5 screws use washers (E), M6 screws use washers (F), M8 screws don't need washer. Attach brackets to screen using four selected screws, four washers(E)or(F) at the top and bottom of each bracket. Tighten screws firmly. Do not overtighten.

