



SIXPAR 200IP™

SKU# SIX013

The new IP65 rated SIXPAR 200IP™ features (12) 12W 6-IN-1 RGBAW+UV LEDs, 100,000 average hour LED life, 15° beam and 25° field angles, electronic strobe and dimming (0-100%), 5 variable dimming curve modes, dual yoke / floor stand, multiple unit power linking, RDM (remote device management), rugged die-cast aluminum exterior, flicker free operation for TV and FILM, 150W max power consumption, and a multi-voltage universal auto switching power supply (110-250v).



FEATURES

IP65 Rated Outdoor Par Up Light

(12) 12W 6-in-1 RGBAW+UV LEDs

100,000 Average Hour LED Life

15° Beam and 25° Field Angles

5 Variable Dimming Curve Modes

Dual Yoke / Floor Stand

Multiple Unit Power Linking

RDM - Remote Device Management

Rugged Die-Cast Aluminum Exterior

Flicker Free Operation for TV and FILM



Specifications are subject to change without notice ©Elation Professional

Elation Professional USA | 6122 S. Eastern Ave. | Los Angeles, CA. 90040
323-582-3322 | 323-832-9142 fax | www.elationlighting.com | info@elationlighting.com

Elation Professional B.V. | Junostraat 2 | 6468 EW Kerkrade, Netherlands
+31 45 546 85 66 | +31 45 546 85 96 fax | www.elationlighting.eu | info@elationlighting.eu

PRODUCT SPECIFICATIONS

FEATURES

- IP65 Rated
- 15° Beam 25° Field Angles
- 5 Variable Dimming Curve Modes
- Dual Yoke / Floor Stand
- Multiple Unit Power Linking
- RDM - Remote Device Management
- Rugged Die-Cast Aluminum Exterior
- Flicker Free Operation for TV and FILM

SOURCE

- (12) 12W 6-in-1 RGBAW+UV LEDs
- 100,000 Hour Average LED Life

PHOTOMETRIC DATA

- 22,250 LUX 2.067 FC @3.3' (1m) (15° Full ON)
- 5,600 LUX 520 FC @6.6' (2m) (15° Full ON)
- 2,500 LUX 232 FC @9.8' (3m) (15° Full ON)
- 1,360 LUX 126 FC @13.1' (4m) (15° Full ON)
- 930 LUX 86 FC @16.5' (5m) (15° Full ON)

EFFECTS

- Electronic Strobe
- Color and Chase Macros
- Electronic Dimming: 0% - 100%
- 5 Variable Dimming Curve Modes

CONTROL / CONNECTIONS

- (4) DMX Channel Modes (6 / 7 / 8 / 12)
- (4) Button Touch Control Panel
- LCD Menu Display
- IP DMX In/Out
- IP Power In/Out

SIZE / WEIGHT

- Length: 12.3" (313mm)
- Width: 6.2" (157mm)
- Vertical Height: 11.8" (300mm)
- Weight: 12.6 lbs. (5.7 kg)

ELECTRICAL / THERMAL

- AC 110-250V - 50/60Hz
- 150W Max Power Consumption
- Power Linking: 8pcs @110V / 18pcs @240V
- 68°F to 113°F (20°C to 45°C)

APPROVALS / RATINGS

IP65



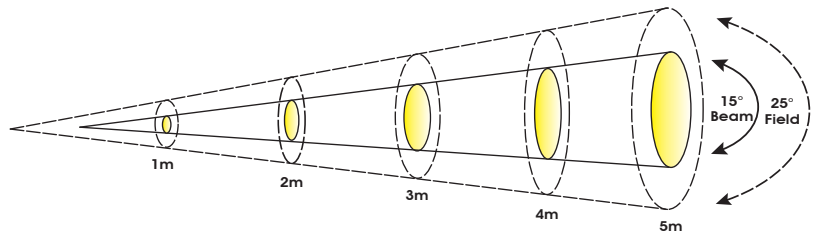
INSTALLATION

- Rigging: Integrated Dual Yoke / Floor Stand
- Working Position: Any (360°)

INCLUDED ITEMS

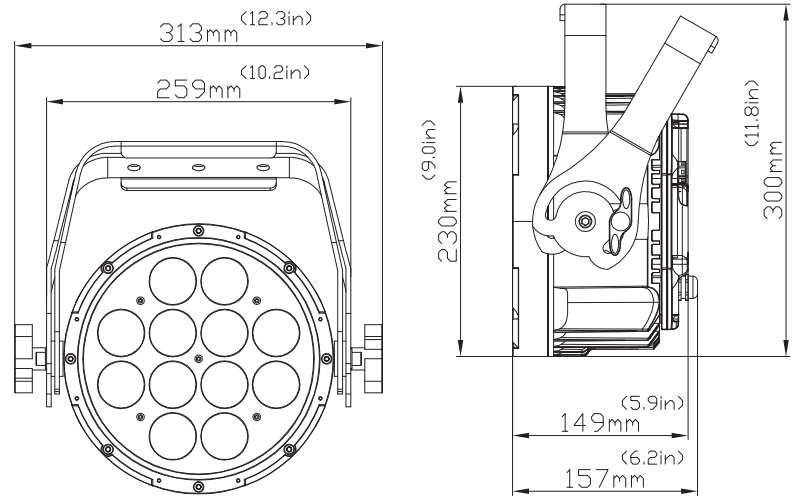
- Male Edison to IP Female Power Cable 6.6 ft. (2m)
- Male 3pin XLR to IP Female DMX Input Cable 3.3 ft (1m)
- Female 3pin XLR to IP Male DMX Output Cable 3.3 ft (1m)

PHOTOMETRIC DATA



Distance	m		ft		m		ft		m		ft	
	1	3.3	2	6.6	3	9.8	4	13.1	5	16.4		
15° Beam Diameter	0.4	1.3	0.64	2.1	0.85	2.8	1.05	3.4	1.32	4.3		
25° Field Diameter	0.45	1.5	0.88	2.9	1.33	4.4	1.77	5.8	2.21	7.3		
	lux	fc	lux	fc	lux	fc	lux	fc	lux	fc		
RED LEDs	3,380	314	862	80	386	36	195	18	126	12		
GREEN LEDs	5,360	498	1,392	129	632	59	334	31	221	21		
BLUE LEDs	6,710	623	1,755	163	804	75	436	41	288	27		
WHITE LEDs	5,830	542	1,535	143	704	65	375	35	247	23		
AMBER LEDs	2,470	229	645	60	294	27	162	15	102	9		
UV LEDs	1,177	109	308	29	138	13	78	7	49	5		
FULL ON	22,250	2,067	5,600	520	2,500	232	1,360	126	930	86		

DIMENSIONAL DIAGRAMS



OPTIONAL ACCESSORIES

ORDER CODE	ITEM
TRIGGER CLAMP	Heavy Duty Wrap Around Hook Style Clamp
EWD001	EWDMX IP Wireless IP65 DMX Transceiver
SIXPAR/2MDLC	6.6 ft. (2m) IP Data Link Cable
SIXPAR/2MPLC	6.6 ft. (2m) IP Power Link Cable
SIXPAR/3MDLC	9.8 ft. (3m) IP Data Link Cable
SIXPAR/3MPLC	9.8 ft. (3m) IP Power Link Cable
SIXPAR/5MDLC	**SPECIAL ORDER ITEM** 16.4 ft. (5m) IP Data Link Cable
SIXPAR/5MPLC	**SPECIAL ORDER ITEM** 16.4 ft. (5m) IP Power Link Cable
SIXPAR/10MDLC	**SPECIAL ORDER ITEM** 32.8 ft. (10m) IP Data Link Cable
SIXPAR/10MPLC	**SPECIAL ORDER ITEM** 32.8 ft. (10m) IP Power Link Cable
SIXPAR/20MDLC	**SPECIAL ORDER ITEM** 65.6 ft. (20m) IP Data Link Cable
SIXPAR/20MPLC	**SPECIAL ORDER ITEM** 65.6 ft. (20m) IP Power Link Cable
SIXPAR/DIAC	Data IN IP Adapter Cable
SIXPAR/DOAC	Data OUT IP Adapter Cable
SIXPAR/PIAC	Power IN IP Adapter Cable
SIXPAR/POAC	Power OUT IP Adapter Cable
SIXPAR/TERRMINATOR	DMX Terminator End Cap
SIXPAR200/GFH	Gel Frame and Holder Kit

Specifications are subject to change without notice ©Elation Professional

