

JB LIGHTING

P12

**640 W
LED WASH**
with framing module



The compact power pack
with Fresnel lens for
first-class lighting design

Zoom
11° - 66°
(1:6)

Output
25,000
lumen

only
29 dB(A)
extremely
quiet

only
23 kg
weight

640 W
white light
LED

Made in
GERMANY

...JUST BRILLIANT



The P12 Wash does an excellent job in every respect!

The P12 Wash with Fresnel lens is not only extremely bright with its 640 watt LED power, but also incredibly light, weighing only 23 kg. It is great fun to handle and operate and leaves a lasting impression with its wash optics and low-noise operation.

JB-Moving lights combine innovative spirit, quality and sound market knowledge with excellent beam characteristics for first-class lighting design. The P12 Wash is a prime example of this, and not only thanks to its 11°–66° zoom range and framing module. In addition to the two color wheels and frost filters, the P12 Wash also impresses with its six gobos, which have been specially designed for wash applications. The P12 Wash is right at home in the brightness class of comparable moving lights with 1,200 watts and a power consumption of just 800 watts.

The P12 Wash is a versatile powerhouse with features such as:

- Zoom range from 11°–66° (1:6)
- Framing module (+/- 55° rotatable) with 4 blades
- 1 gobo wheel with 6 rotating gobos
- 1 color wheel with 7 correction filters + color dark red
- Electronic shutter with pre-programmed pulse and ramp functions
- 2 stepless, variable frost filters (soft edge, flood frost)
- Infinitely adjustable high-speed iris
- Graphic color-touch display, rotated electronically
- Flicker-free operation, camera mode 100 | 120 | 600 Hz and 3 kHz
- 4 carrying handles for easy handling
- Ultra-quiet 29 dB(A)

In addition, the P12 Wash HP (High Power) has:

- CMY color mixing unit and linear CTO
- 1 color wheel with 7 colors + High CRI filter

In addition, the P12 Wash HC (High CRI) has:

- CMY color mixing unit and linear CTO
- 1 color wheel with 7 colors + CTB filter

In addition, the P12 Wash WW (Warm White) has:

- CMY color mixing unit and linear CTB
- 1 color wheel with 7 colors + CTB filter



JB SLIDE-IN TECHNOLOGY

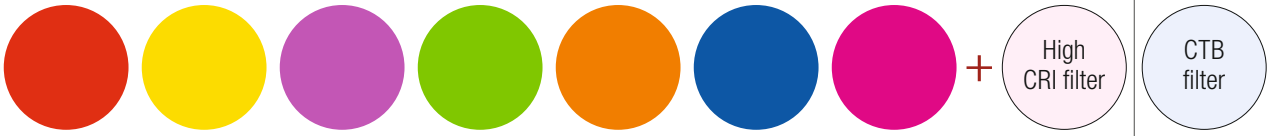
Cleaning and gobo changes are easily possible with the P12 Wash, as all inserts can be removed without tools or manual cable cutting.

Find more information at:
www.jb-lighting.de

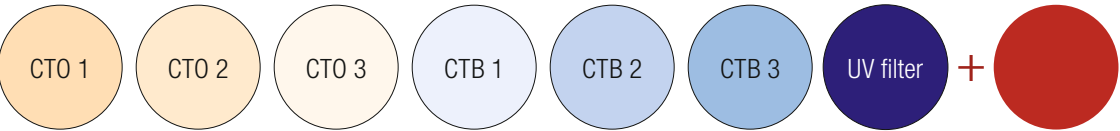
6 rotating gobos



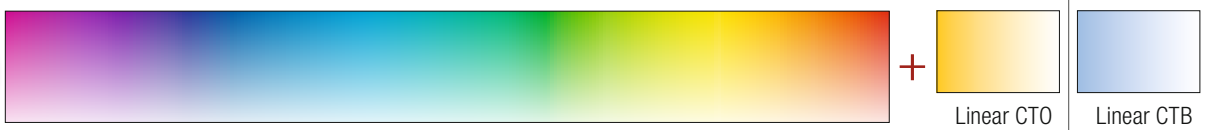
7 brilliant colors



7 correction filters



CMY + variable CT filter



P12 WASH SPECIFICATIONS

Overview of light colors and features



P12 **HP**



P12 **HC**



P12 **WW**

Specification:	HP – High Power	HC – High CRI	WW – Warm White
Color temperature:	6800 K	5800 K	3200 K
Luminosity:	46,000 lm (25,000 lm Output)	34,000 lm (19,000 lm Output)	27,000 lm (15,000 lm Output)
CRI:	≥70 (with CRI filter ≥85)	≥90	≥91
Correction filter:	linear CTO 6800 K to 2700 K	linear CTO 5800 K to 2500 K	linear CTB 3200 K to 6500 K
Usage:	Maximum luminous intensity for optimal illumination even from a great distance	Maximum light quality for optimal color reproduction with the best luminosity	Maximum comparability with conventional halogen lamps

Technical specifications:

Optics and light source

- 640 W white light LED module
- HP (High Power): 6800 K; 46,000 lm (25,000 lm Output); CRI \geq 70
- HC (High CRI): 5800 K; 34,000 lm (19,000 lm Output); CRI \geq 90
- WW (Warm White): 3200 K; 27,000 lm (15,000 lm Output); CRI \geq 91
- > 20.000 h life time
- Flicker-free operation, camera mode: 100, 120, 600 Hz and 3 kHz
- Zoom range: 11°–66° (1:6)

Effects

- Framing module with 4 blades – each fully closing (total curtain) and with separate motion and rotation control, module can be rotated by 110°
- 1 gobo wheel with 6 rotate-, position- and interchangeable gobos: 5 gobos + 1 multicolor gobo + open
- CMY color mixing unit for rapid, even color mixing + linear CTO (P12 HP and P12 HC) and linear CTB (P12 WW) respectively
- P12 HP: 1 color wheel with 7 full and half colors + open and linear color selection + High CRI filter such as 1 color wheel with 7 correction filters + dark red + open
- P12 HC und P12 WW: 1 color wheel with 7 full and half colors + open and linear color selection + CTB filter such as 1 color wheel with 7 correction filters + dark red + open
- 2 frost filters (soft edge/flood frost), continuously variable – optional further frost stages possible
- Motorised infinitely adjustable high-speed iris
- Electronic dimmer 0% – 100%
- Electronic shutter with preprogrammed puls- and ramp functions
- Animation effect / Sparkle effect
- Focus system with auto focus function

Movement

- 3 phase extra strong stepping motors
- Precise, very fast and silent movement
- 540° pan / 280° tilt

Control and programming

- USITT DMX-512, RDM
- Ethernet interface with Art-Net and sACN
- Wireless DMX / RDM Lumen Radio CRMX TiMo
- Bluetooth, Wifi
- Color touch display with function keys and battery backup
- Mini USB for software update
- Stand-alone mode, master/slave function
- Built-in DMX analyser

Construction

- Original JB-Lighting slide-in module technology
- Rugged construction with 4 carrying handles
- Transport lock for pan/tilt
- Fan control for almost noiseless operation, 29 dB(A)
- Graphical display, electronically revolvable
- Neutrik 5pin XLR IN/OUT
- Neutrik powerCON TRUE1 IN/OUT

Rigging

- 2 Omega brackets for quick and convenient installation

Electrical specification

- Max. power consumption 800 VA
- Input voltage range 100V–240V, 50/60 Hz

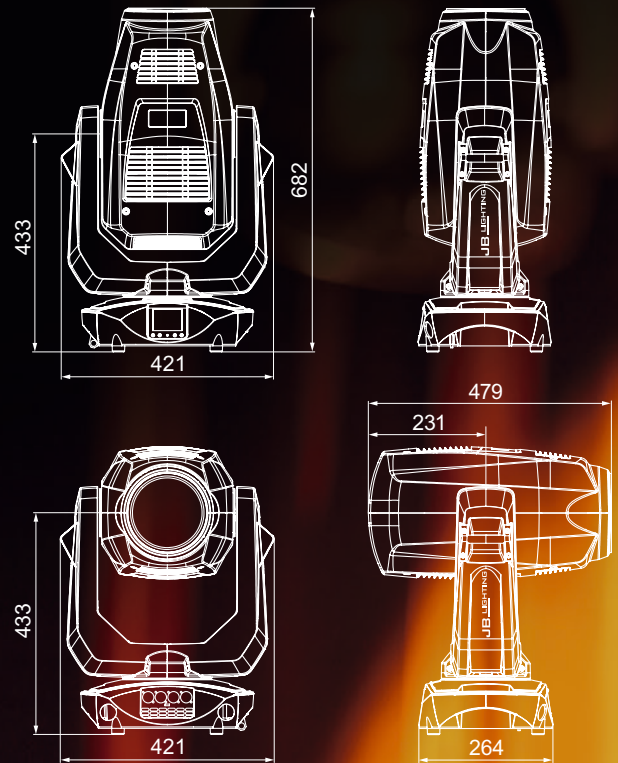
Mechanical specifications

- Dimensions: W 421 x D 264 x H 682 mm
- Weight: 23 kg

Scope of delivery

- Schuko on powerCON TRUE1, flexible rubber cable (2 m long, 3 x 1.5 mm²)
- 2 Omega brackets

Dimensions:



Accessories:

- **Diffusor** (Code ZU0022)
- **AMPTOWN double** (Code CASE38)
 - with SiP foam inlet and stacking grooves
 - Dimensions: W 60 x D 60 x H 90 cm
 - Weight without (incl. fixtures): approx. 48 (94) kg
- **AMPTOWN fourfold** (Code CASE39)
 - with SiP foam inlet and stacking grooves
 - Dimensions: W 120 x D 60 x H 90 cm
 - Weight without (incl. fixtures): approx. 76 (168) kg



JB LIGHTING

JB-Lighting Lichtenlagentechnik GmbH
Sallersteig 15 · D-89134 Blaustein · Tel. +49 (0)7304 9617-0
E-Mail: info@jb-lighting.de · www.jb-lighting.de