



SNIPER PRO™

SKU# SNI305

The Sniper PRO™ is a new and improved hybrid effects projector, scanner, and laser simulator featuring the new Philips™ MSD Platinum 14R 280W 7,800K 80CRI lamp. Capable of producing the same precise beam and laser like effects as its successful predecessor the Sniper 2R™, however now with 3X the output brightness. This enhanced version with increased speed, brightness, color and effect options, features an improved X / Y / Z rotation mirror system with focus, 12 dichroic colors with split colors, CMY color mixing, 20 static-stamped gobos, bidirectional animation, 3-facet, 8-facet, and linear rotating prisms, liquid sky, laser wave, and cone effects, internal pattern and control macros, 3/5pin DMX and powerCON TRUE1 in/out connections, (4) button control panel, 460W max power consumption, and a multi-voltage universal auto switching power supply (120-240v).



FEATURES

- Hybrid Effects Beam, Scanner, Laser Simulator
- 280W Phillips™ Platinum 14R 7,800K 80CRI Lamp
- 2.5° Laser Sharp Beam
- Improved High-Speed X / Y / Z Mirror System with Focus
- (12) Dichroic Colors with Split Colors
- CMY Color Mixing
- (20) Static-Stamped Gobos
- Bidirectional Animation
- 3-Facet, 8-Facet, and Linear Rotating Prisms
- Liquid Sky, Laser Wave, and Cone Effects
- Internal Pattern and Control Macros
- Multi Unit Power Linkable



ELATION | SNIPER PRO™ | Product Specification Sheet

Specifications are subject to change without notice ©Elation Professional 07/06/16

Elation Professional USA | 6122 S. Eastern Ave. | Los Angeles, CA. 90040
323-582-3322 | 323-832-9142 fax | www.elationlighting.com | info@elationlighting.com

Elation Professional B.V. | Junostraat 2 | 6468 EW Kerkrade, The Netherlands
+31 45 546 85 66 | +31 45 546 85 96 fax | www.elationlighting.eu | info@elationlighting.eu

PRODUCT SPECIFICATIONS

SOURCE

Philips MSD Platinum 14R™ 280W Lamp
2,000 Hour Average Lamp Life*

*LED Life may vary depending on several factors including but not limited to: Environmental Conditions, Power/Voltage, Usage Patterns (On-Off Cycling), Control and Dimming.

PHOTOMETRIC DATA

84,330 LUX 7,834 FC @16.4' (5m)
23,200 LUX 2,155 FC @32.8' (10m)
10,270 LUX 954 FC @49.2' (15m)
5,800 LUX 539 FC @65.6' (20m)
3,700 LUX 344 FC @82.0' (25m)

EFFECTS

Bidirectional Animation
3-Facet, 8-Facet, and Linear Rotating Prisms
Liquid Sky, Laser Wave, and Cone Effects
Pattern and Control Macros

COLOR

(12) Dichroic Colors + White and Split Colors
CMY Color Mixing

GOBOS

(20) Static-Stamped Gobos

CONTROL / CONNECTIONS

(2) DMX Channel Modes (25 / 27)
4 Button Control Panel
LCD Menu Display
3/5pin DMX In/Out
powerCON TRUE1 In/Out (Power Link Multiple Units)

SIZE / WEIGHT

Length: 16.1" (408mm)
Width: 13.9" (353mm)
Vertical Height: 13.8" (351mm)
Weight: 29.0 lbs. (13.2kg)

ELECTRICAL / THERMAL

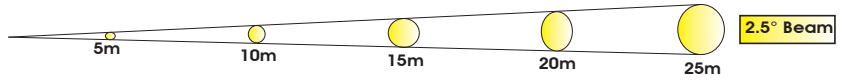
AC 100-240V - 50/60Hz
460W Max Power Consumption
Multiple Unit Power Linking (max 3 @120V / 7 @230V)
Max Ambient Temperature 104°F (40°C)

APPROVALS / RATINGS

INCLUDED ITEMS

powerCON TRUE1 Cable

PHOTOMETRIC DATA



| Distance | 5m | 16.4 ft | 10m | 32.8 ft | 15m | 49.2 ft | 20m | 65.6 ft | 25m | 82.0 ft |
|---------------|--------|---------|--------|---------|--------|---------|-------|---------|-------|---------|
| Beam Diameter | 0.25 | 0.8 | 0.49 | 1.6 | 0.74 | 2.4 | 1.02 | 3.3 | 1.26 | 4.1 |
| | lux | fc | lux | fc | lux | fc | lux | fc | lux | fc |
| FULL ON | 84,330 | 7,834 | 23,200 | 2,155 | 10,270 | 954 | 5,800 | 539 | 3,700 | 344 |

COLORS AND GOBOS

COLOR WHEEL



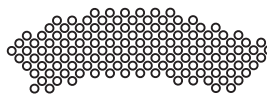
C M Y FILTERS



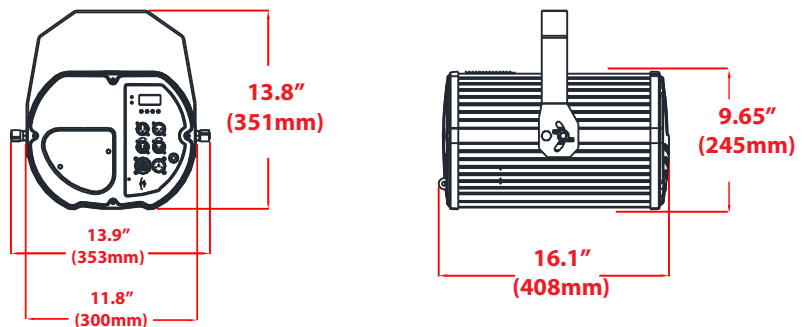
STATIC-STAMPED GOBO WHEEL



BI-DIRECTIONAL ANIMATION WHEEL



DIMENSIONAL DIAGRAM



OPTIONAL ACCESSORIES

| ORDER CODE | ITEM |
|---------------|--|
| TRIGGER CLAMP | Heavy Duty Wrap Around Hook Style Clamp |
| AC3PDMX5PRO | 5 ft. (1.5m) 3pin PRO DMX Cable |
| AC5PDMX5PRO | 5 ft. (1.5m) 5pin PRO DMX Cable |
| NEU088 | 3 ft. (1m) powerCON TRUE1 Power Link Cable |
| | Additional Cable Lengths Available |



Specifications are subject to change without notice ©Elation Professional 07/06/16

Elation Professional USA | 6122 S. Eastern Ave. | Los Angeles, CA, 90040
323-582-3322 | 323-832-9142 fax | www.elationlighting.com | info@elationlighting.com

Elation Professional B.V. | Junostraat 2 | 6468 EW Kerkrade, The Netherlands
+31 45 546 85 66 | +31 45 546 85 96 fax | www.elationlighting.eu | info@elationlighting.eu