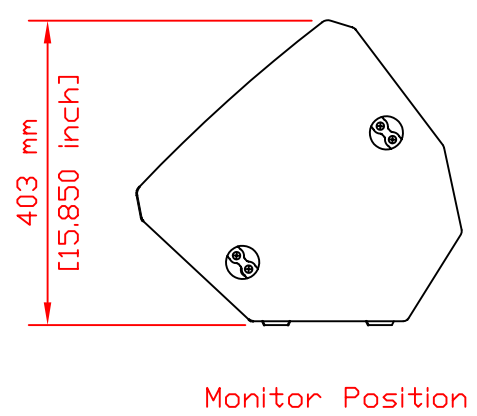
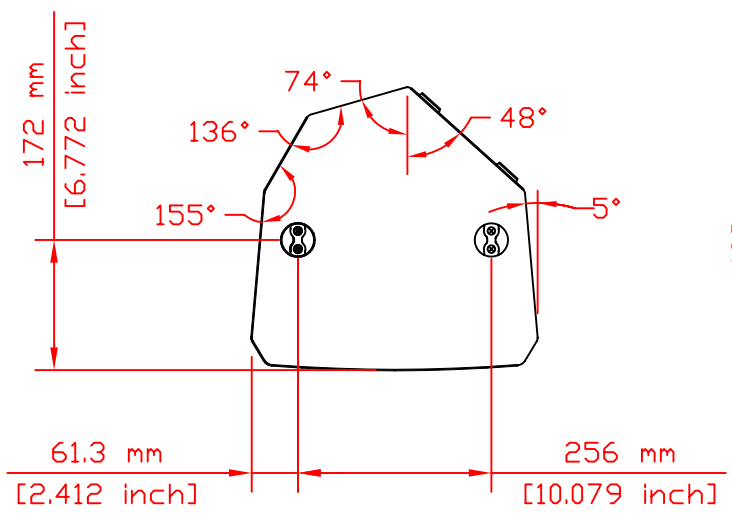
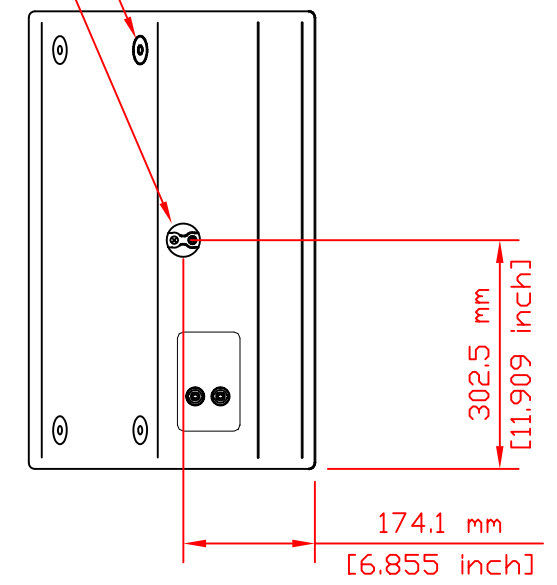
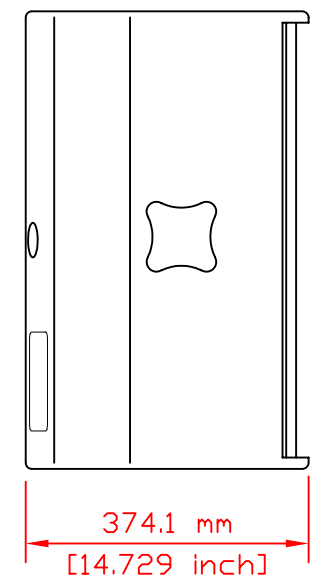
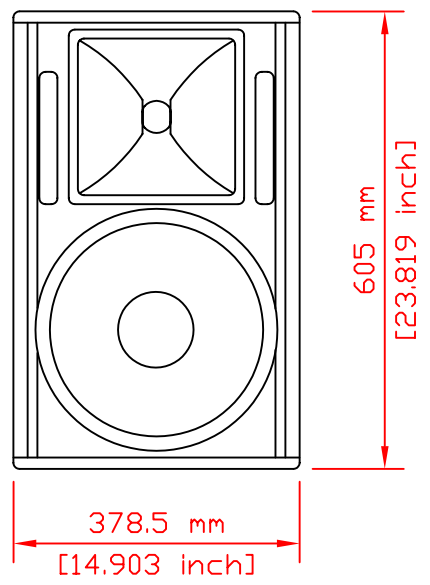


Plastic Sliders  
Rigging Points  
ANCRA Jungfalk  
120030-31



Weight 31 kg / 68,4 lbs	Catalog No.	Filename KF_CA_1215_6_M.pdf	Date 10.09.2003	NOT TO SCALE
Kling & Freitag GmbH Junkersstrasse 14 D-30179 Hannover www.kling-freitag.de		CA 1215-6-M		
CVL0007b			Rev. 1	Sheet 1/1

INFORMATION IN THIS DOCUMENT IS THE SOLE PROPERTY OF KLING & FREITAG GmbH.  
REPRODUCTION OF ALL OR ANY PART OF THIS DOCUMENT WITHOUT WRITTEN PERMISSION FROM  
KLING & FREITAG GmbH IS PROHIBITED.