

K&F SEQUENZA 10

- Line array system with 2 x 10"/3 x 1" combined with waveguide
- 2+1-way passive system
- 7° x 77° (N) or 7° x 100° (W)
- FLC technology (patent), waveguide (patent) and integrated Flyware 'Snap&Fly' (patent)
- Operation with K&F SystemAmps

The SEQUENZA 10 implements the line array technology with perfection and sound quality unknown until now. Intensive fundamental research and development work resulted in a compact line array element with outstanding features.

The system's sound was calibrated with an enormous precision. Two especially developed horn-loaded 10" neodymium chassis and the use of patented FLC® technology guarantee a warm and full sound reproduction as well as excellent full range qualities. The dipole arrangement of the chassis and the bass reflex tubes located on the outsides create a high directivity starting at 200 Hz. Using FLC® technology, one of the two 10" drivers is decoupled phase linear so that the coverage area is increasingly reduced. This suppresses gradient side lobes in the coverage pattern and significantly raises the feedback threshold. The tweeter unit of the SEQUENZA 10, which consists of the patented waveformer and three 1" high frequency drivers, creates a planar wavefront up to over 16 kHz. This allows for a coherent coupling of several line array elements even in the frequency range considerably above 10 kHz.

With the SEQUENZA 10 N's coverage angle of 77° and the SEQUENZA 10 W's coverage angle of 100°, two versions are available that can also be combined together in an array using the same controller preset.

Despite the compact dimensions, the SEQUENZA 10 is capable of achieving the enormous maximal sound pressure level of 153 dB (peak, with 4x SEQUENZA 10).

The patented rigging system 'Snap&Fly' saves set-up time and is unbelievably simple and safe. You preset the angles between the individual speaker elements on the floor. Then, when you fly the array, the individual elements automatically and safely snap into with the correct angles.

The compact SEQUENZA 10 B complements the line array system in the low frequency range. The direct radiating 2 x 15" subwoofer can either be flown together with K&F SEQUENZA 10 NW arrays or used standalone as ground stack or flown as independent bass array. Directional bass arrays can be configured via the K&F SystemAmps.

The speakON® connectors that are weatherproof according to IP54 and the waterproof enclosure with a Polyurea coating allow for temporary outdoor usages. The SEQUENZA 10 line array is intended for use with the K&F SystemAmps.



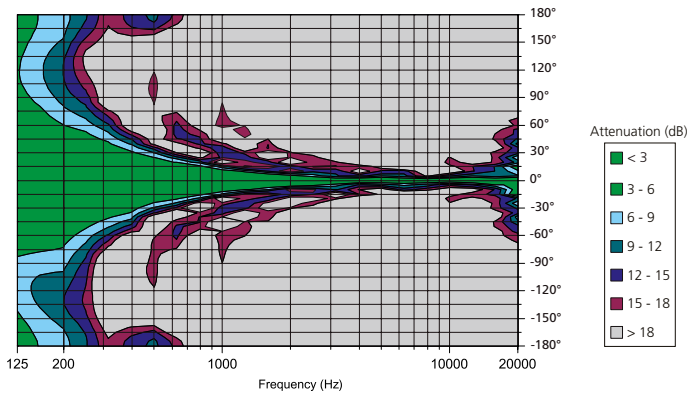
K&F SEQUENZA 10 N/W	
Design	Passive 2+1-way system with FLC®technology, completely horn loaded, bass reflex tuning
Operation with	K&F PLM+ Series, K&F D Series, K&F SystemRack ¹ , K&F TOPAS ¹
Frequency range -10 dB	SEQUENZA 10 N: 58 Hz – 22 kHz in 'LCut Mode' 44 Hz – 22 kHz in 'FR Mode'
	SEQUENZA 10 W: 58 Hz – 23,5 kHz in 'LCut Mode' 44 Hz – 23,5 kHz in 'FR Mode'
Frequency range -5 dB	SEQUENZA 10 N: 87 Hz – 18,5 kHz in 'LCut Mode' 49 Hz – 18,5 kHz in 'FR Mode'
	SEQUENZA 10 W: 87 Hz – 23 kHz in 'LCut Mode' 49 Hz – 23 kHz in 'FR Mode'
Coverage angle horizontal	SEQUENZA 10 N: 77° SEQUENZA 10 W: 100°
Coverage angle vertical	Depending on configuration
Power handling nominal	300 watts (LF 1) 300 watts (LF 2 + HF)
Power handling program	600 watts (LF 1) 600 watts (LF 2 + HF)
Power handling peak	1,200 watts (LF 1) 1,200 watts (LF 2 + HF)
Max. SPL²	1 x SEQUENZA 10: 141 dB (SPL peak/1 m) 4 x SEQUENZA 10: 153 dB (SPL peak/1 m)
Impedance nominal	LF 1: 12 Ω LF 2 + HF: 12 Ω
Loudspeaker per channel	See matrix
Components	3 x 1" high frequency driver with 44 mm voice coil 1 x 10" low-mid frequency chassis 1 x 10" low frequency chassis both with attached horn
Connectors	2 x speakON® 4-pol NLT4MP (+1/-1) IN parallel to OUT
Enclosure	
	Lightweight, water resistant high-tech plywood with highly resilient Polyurea synthetic coating in RAL 9005 (black), integrated 3-point rigging system 'Snap&Fly' out of KTL- and powder-coated steal with abrasion insusceptible connectors, 5 quick release pins (undetachable), 2 angled handles, 2 locking profiles for optional transport cover, ball proof grille with exchangeable acoustic foam (black) in front of the grille
Dimensions (W x H x D)	795 x 303 x 491 mm
Weight	34 kg
Colour	RAL 9005 (black)
Accessories	See catalogue or www.kling-freitag.com

¹ Discontinued in October 2015

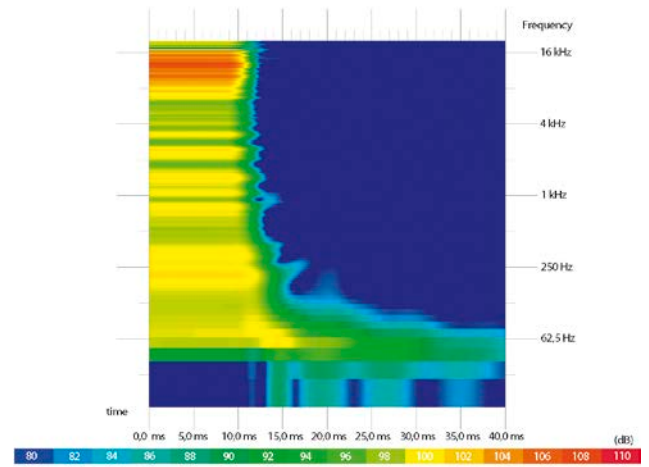
² Max SPL with 85 ms Burst

K&F SEQUENZA 10

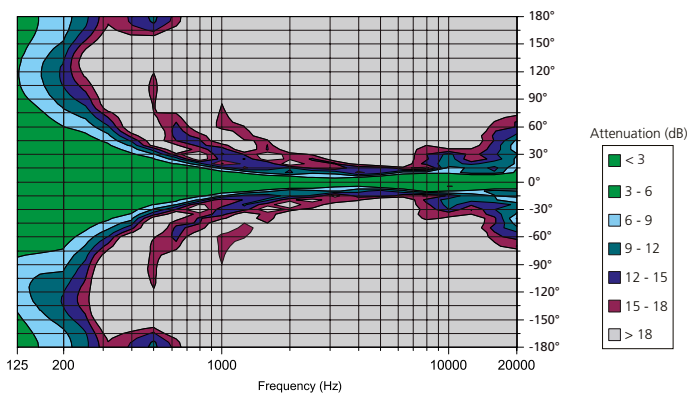
Vertical radiation pattern 3 x SEQUENZA 10, 0° splayed



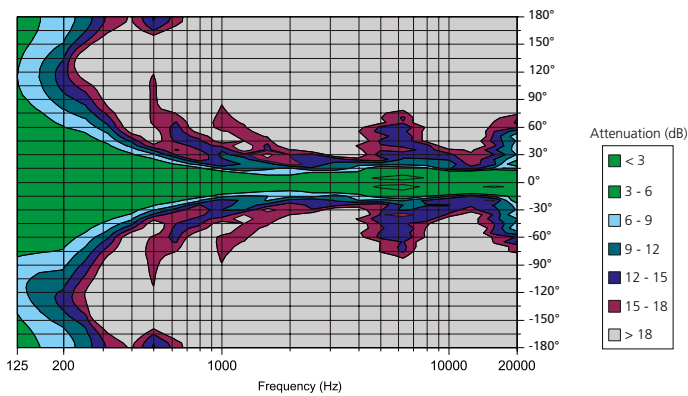
Spectrogram



Vertical radiation pattern 3 x SEQUENZA 10, 3° splayed

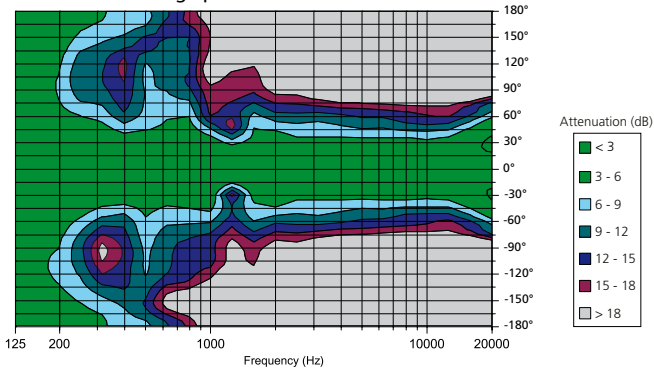


Vertical radiation pattern 3 x SEQUENZA 10, 7° splayed

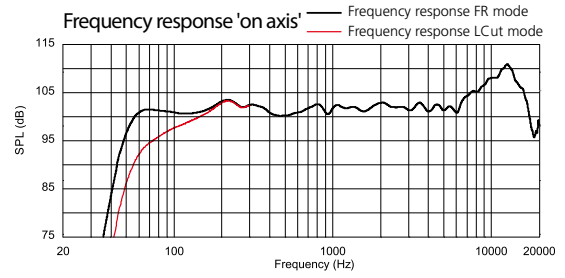


SEQUENZA 10 N

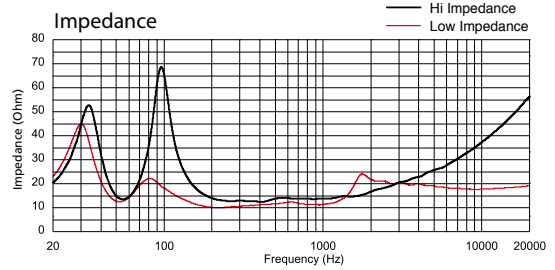
Horizontal coverage pattern



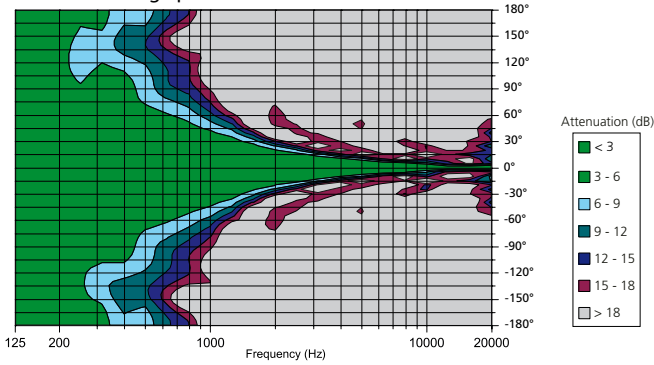
Frequency response 'on axis'



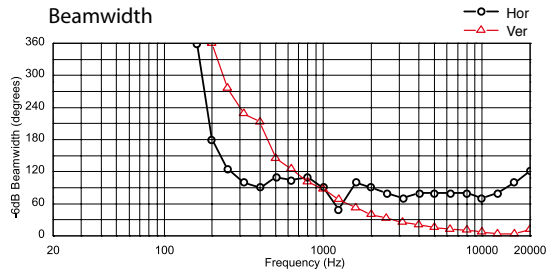
Impedance



Vertical coverage pattern



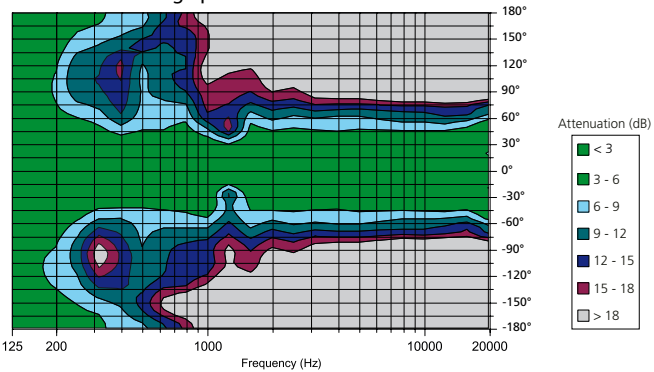
Beamwidth



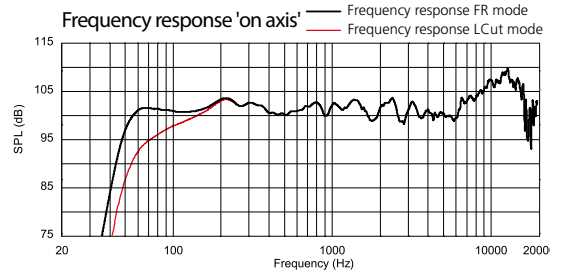
All measurements under free field conditions. Frequency patterns 1/6 octave averaged. Coverage and polar pattern 1/3 octave averaged. The manufacturer reserves the right to make product alterations to improve product quality without prior notice. Errors excepted.

SEQUENZA 10 W

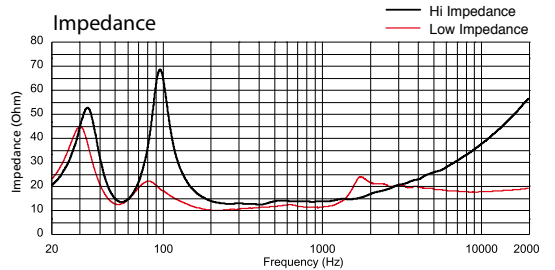
Horizontal coverage pattern



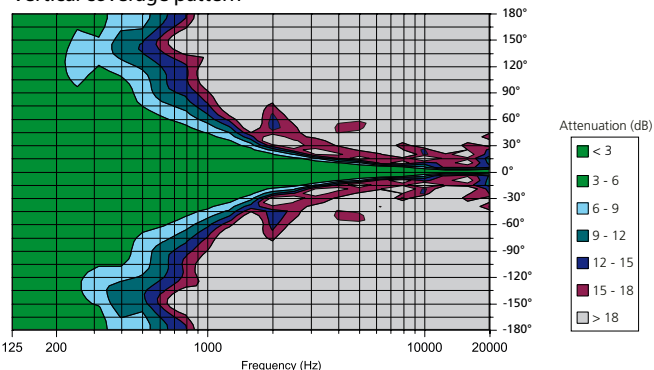
Frequency response 'on axis'



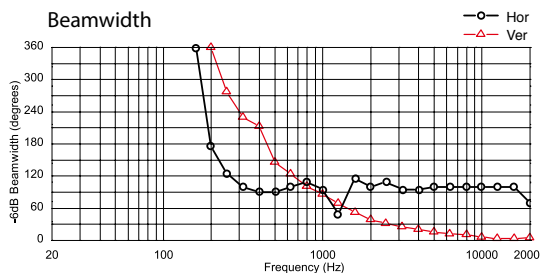
Impedance



Vertical coverage pattern



Beamwidth



All measurements under free field conditions. Frequency patterns 1/6 octave averaged. Coverage and polar pattern 1/3 octave averaged. The manufacturer reserves the right to make product alterations to improve product quality without prior notice. Errors excepted.

K&F SEQUENZA 10

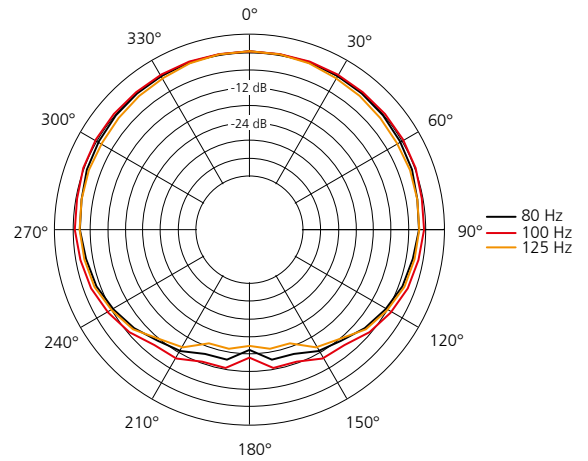
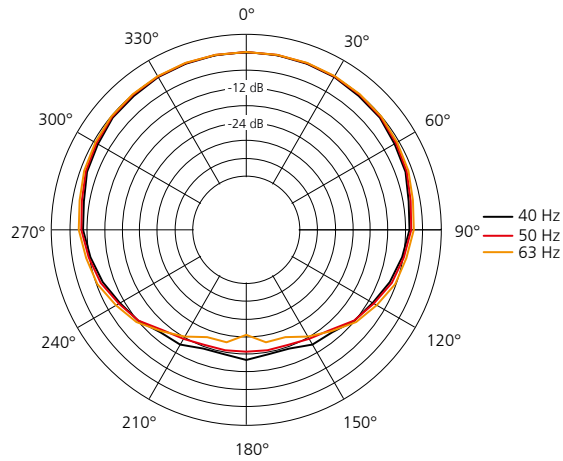


K&F SEQUENZA 10 B	
Design	Bass reflex system
Operation with	K&F PLM+ Series, K&F D Series, K&F SystemRack ¹ , K&F TOPAS ¹
Lower cut-off frequency	39 Hz (-3 dB) 33 Hz (-10 dB)
Coverage	Omnidirectional (optional cardioid or hypercardioid in clusters of three selectable)
Power handling nominal	900 watts
Power handling program	1,800 watts
Power handling peak	3,600 watts
Max. SPL	136.5 dB (SPL peak/1 m/half room)
Impedance (nominal)	4 Ω
Loudspeaker per channel	See matrix
Components	2 x 15" long excursion chassis, 100 mm voice coil with double centering, internal and external ventilation, double demodulation ring for minimal distortion
Connectors	1 x speakON® 4-pol NLT4MP (1+/-) (front) 2 x speakON® 4-pol NLT4MP (1+/-) (rear) IN parallel to OUT
Enclosure	
	15 mm multiplex with highly resilient Polyurea synthetic coating in RAL 9005 (black), K&M mounting plate with M20 thread for distance rod, 'Snap&Fly' compatible 4-point rigging system out of KTL- and powder-coated steel with abrasion insusceptible connectors, 8 butterfly handles, 10 non-abrasive plastic sliding feet and stacking grooves for save stackings of identical enclosures, locking profiles for transport cover, ball proof steel grille with acoustic foam (black) in front of the grille
Dimensions (W x H x D)	807 x 471 x 991 mm (with castors) 807 x 471 x 850 mm (without castors)
Weight	62.0 kg
Colour	RAL 9005 (black)
Accessories	See Catalog or www.kling-freitag.com

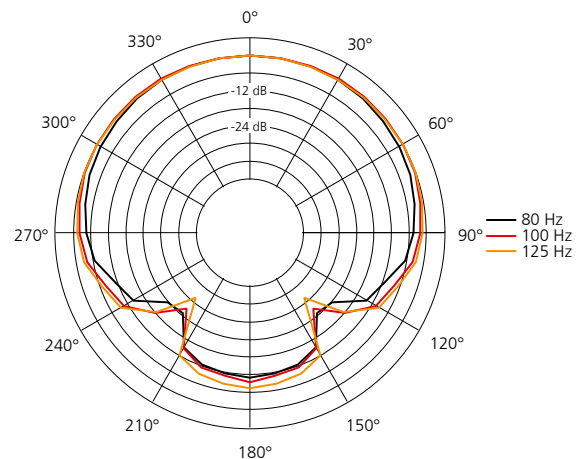
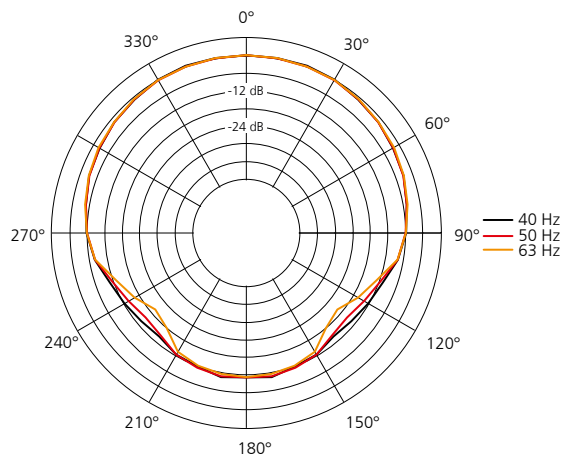
¹ Discontinued in October 2015

Polar diagram SEQUENZA 10 B

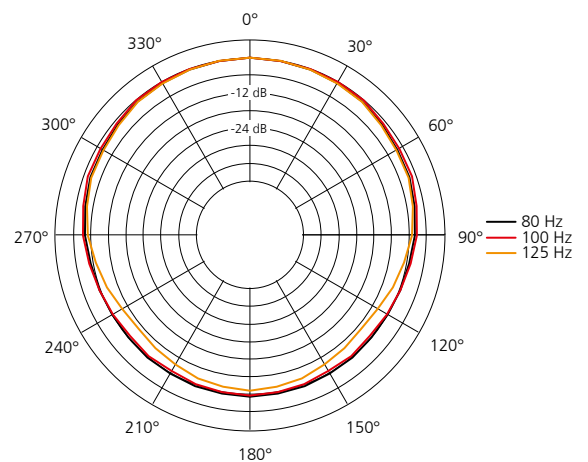
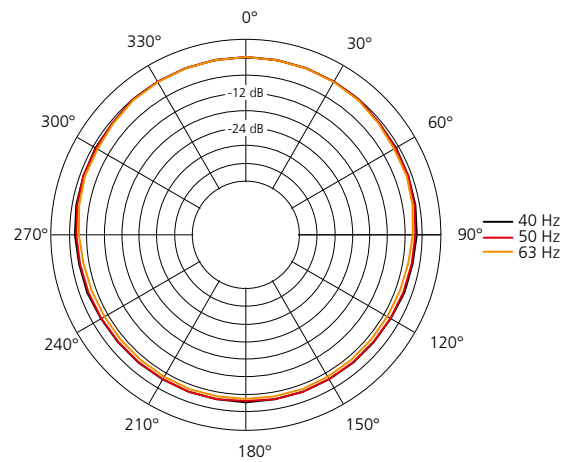
Cardioid



Hypercardioid

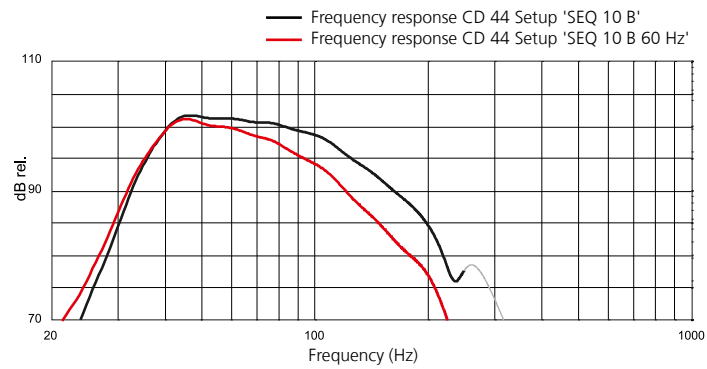


Omnidirectional



K&F SEQUENZA 10

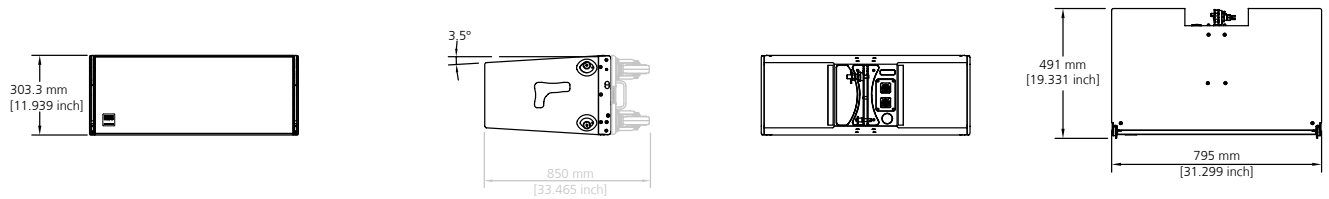
SEQUENZA 10 B



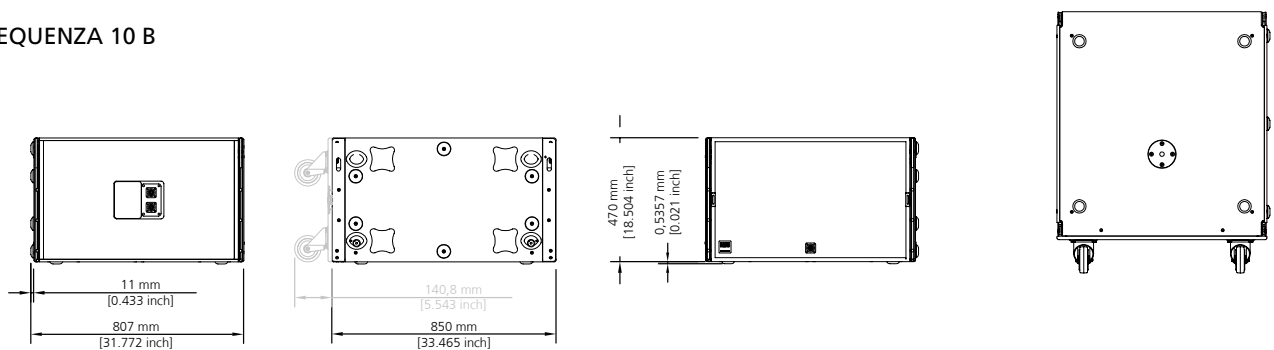
All measurements under free field conditions. Frequency patterns 1/6 octave averaged.
The manufacturer reserves the right to make product alterations to improve product quality without prior notice. Errors excepted.

Dimensions

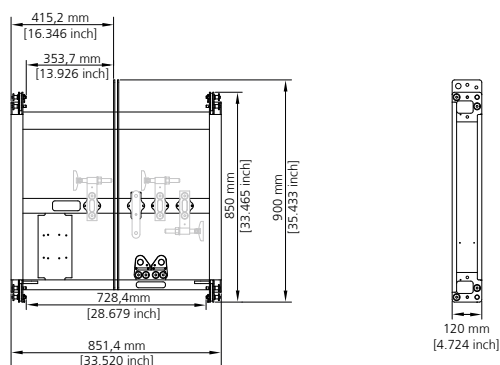
SEQUENZA 10 N/W



SEQUENZA 10 B



SEQUENZA 10 Flying Frame



Weight of SEQUENZA 10 Flying Frame: 46 kg. Transport Cover with castors and the Groundstack Kit (grey) are optional accessories

K&F CON:SEQUENZA+

Features

- Static and acoustic calculation of K&F SEQUENZA 5 and 10, and of numerous traditional Kling & Freitag speaker systems.
- Bass- and bass array simulation for many Kling & Freitag subwoofer models.
- Load simulation complying with BGV C1 or DIN 18800
- Support of level calculation, time and frequency response and other functions.
- Calculation of loads, splay angles and installation positions
- Auto splay function
- Coverage calculation of several arrays (maximum SPL) on different levels
- Frequency responses at discretionary positions
- Report of all important information, exportable as pdf
- Adapted for the operating systems Windows 7®/8®/8.1®/10®

